

# The Summer Festival of Bridge

## Daily Bulletin 11

Rydges Lakeside, Canberra

January 26<sup>th</sup> 2013



**Congratulations to the winners of the South West Pacific Teams:**

**Ervin Otvosi, Jeremi Stepinski, Michal Nowosadski, Piotr Wiankowski and  
Woytek Gavel**



### Tim Bourke's Problem

#### 11. LATE

Dealer South. Both Vul.

**NORTH**

♠ A 8 6 4  
♥ 10 9 5  
♦ K 8 6  
♣ Q 5 4

**SOUTH**

♠ K Q 9 2  
♥ K  
♦ 10 7 4  
♣ K 10 9 7 2

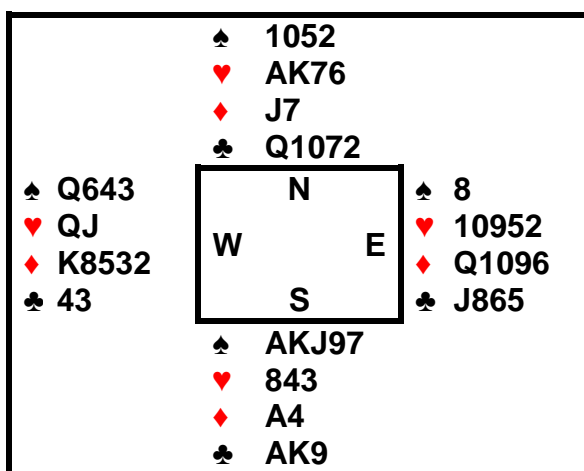
West	North	East	South
			Pass
1♥	Pass	2♥	2♠
4♥	4♠	Double	All pass

This is a deal that was played in the mid-1950s at one of the National Championships. Why the original South bid two spades rather than make a takeout double is a mystery. Anyway, after transporting yourself back in time, you find yourself playing four spades, with 1954 Bermuda Bowl Champion Doug Steen in the East seat. West leads the eight of clubs, which places East with the ace of clubs and West with virtually all of the other high cards. You play a low club from dummy and Steen inserts the jack. Is there any chance of making four spades? (Trumps are 3-2.)

### The Quarter Finals – Set 1

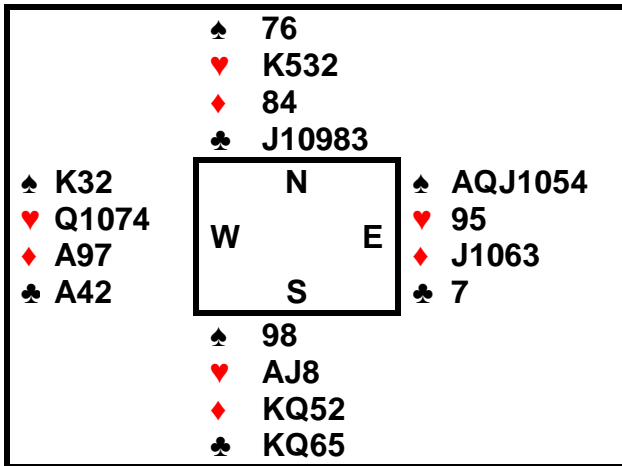
At one table Paul Lavings and Robert Krochmalik of the Brown team were opposed by Piotr Wiankowski and Michal Nowosadski of the SWPT winning Otvosi team.

Board 1 saw Nowosadski and Wiankowski lose their way in the auction.



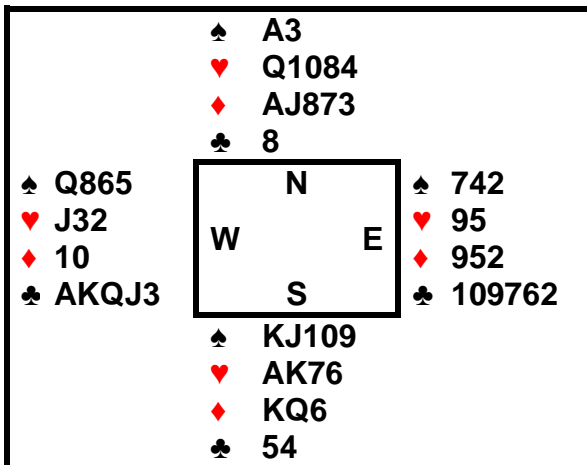
After two passes, Wiankowski opened a conventional 1♣ and Lavings put in 1♦. Nowosadski doubled and Krochmalik passed. South now called 2♦, again artificial, and North an artificial 2♠. Krochmalik put in a sprightly 3♦ call and Wiankowski finally offered spades. North declined, settling for 4♥.

This was much less satisfactory – the defence established its diamond trick by Krochmalik's lead at trick one and from then on it was just a matter of how many down. Two was the final answer in contrast to Brown-Kanetkar who reached the safety of 4♠ and 11imps.



Krochmalik opened a multi and Wiankowski doubled. Lavings called ♠ and there it rested. A diamond was led to the Queen and Ace and Lavings quickly claimed for nine tricks. This did not sit well alongside the -590 recorded by Brwon-Kanetkar when they tried to take the money off 4♠x but could only come to three tricks.and that was 9 to Otvosi

The big hand of the set saw a solitary imp change hands



South	North
1NT	2♣
2♥	4♣
4NT	5♠
6♥	

The Nowosadski-Wiankowski auction seems simple and effective. Lavings led a club and that was twelve tricks. The same slam was reached in the other room but from the other side and so didn't receive a club lead and made the overtrick.

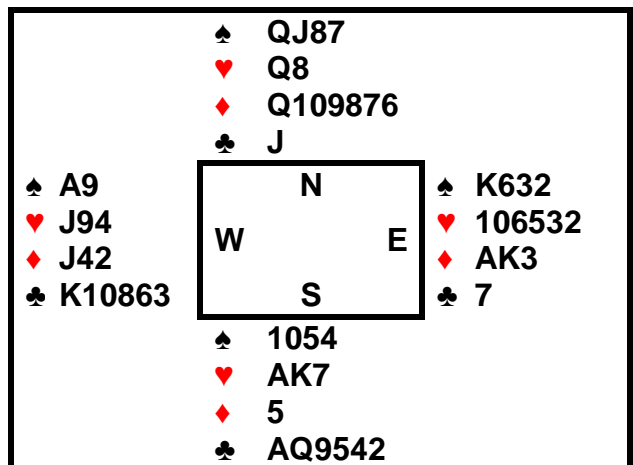
A lead problem for you:

You East hold

♠K632 ♥ 106532 ♦ AK3 ♣ 7

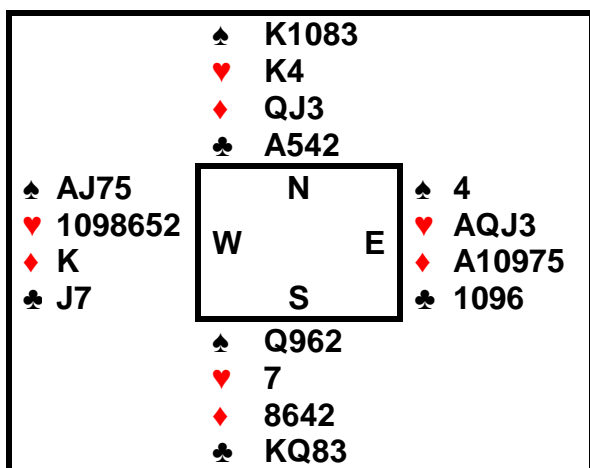
West	North	East	South
P	P	P	2♣
P	P	X	P
P	2♦		

♣ is a Precision type. What do you lead?



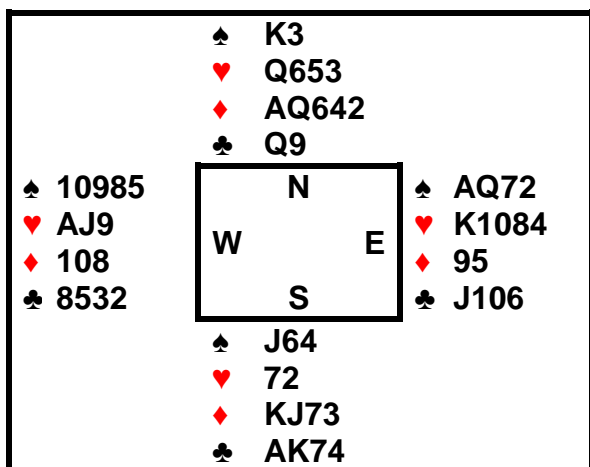
As you can see, only a small spade is good enough to beat the contract. It proved too hard to find at the table and a heart was led. A spade lead enables partner to get two ruffs.

Then Nowosadski-Wiankowski missed the chance for a profitable sacrifice which was found by Brown-Kanetkar



Krochmalik-Lavings reached 4♥. North-South abandoning spades at the two level. A spade was led and Lavings could now dispose of one of his club losers and make twelve tricks. Brown-Kanetkar bid the soade game and weren't doubled to make it a very profitable incursion.

Then a chance went begging:



Nowosadski-Wiankowski were quickly in 3NT played by South. Lavings led a spade and Krochmalik took the first two tricks. At this stage, a heart switch sees the defence take the first four tricks. However, the position of the ♠J was unclear and Krochmalik continued with his partner's led suit. On the run of the diamonds, Lavings pitched a club and now declarer had ten

tricks.

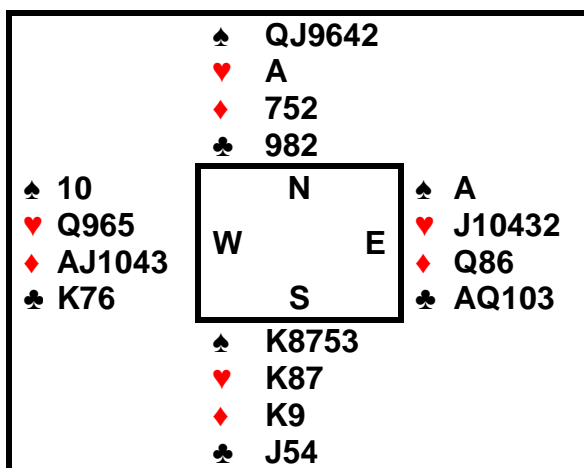
Then a nasty bidding decision – try it for yourself

You hold ♠10 ♥ Q965 ♦ AJ1043 ♣ K76

The auction so far

West	North	East	South
P	2♦	x	P
?			3♥

2♦ is a multi and 3♥ pass or correct. Your move



In this position, Lavings closed the auction in 4♦.with 4♥ available. Still you can't make 4♥ if only the opponents bid the suit. Maybe Lavings should pass and then someone can make a takeout double though there must be a huge chance that South will quickly bid 4♠.

The segment finished with Otvosi ahead 30 – 37

### Tim Bourke's Problem - Solution

The original declarer drew trumps in three rounds and led a club to the queen, which Steen allowed to win. This was the full deal:

<p>♠ A 8 6 4 ♥ 10 9 5 ♦ K 8 6 ♣ Q 5 4</p> <p>♠ 10 3 ♥ A Q J 8 3 ♦ A Q J 5 ♣ 8 3</p> <p>♠ K Q 9 2 ♥ K ♦ 10 7 4 ♣ K 10 9 7 2</p>	<p>♠ J 7 5 ♥ 7 6 4 2 ♦ 9 3 2 ♣ A J 6</p>
--	--

When Steen took the third round of clubs he paused to think. It was clear to Steen that the declarer held only one heart. If Steen he had played a heart next, the original declarer would have a ruffing entry to his hand and his two established clubs winners. He would be able to discard a diamond from dummy before the defenders had scored two diamond tricks.

Instead of woodenly playing a heart, Steen shifted to a diamond, allowing his partner to set up two winners in the suit. The contract could no longer be made. (Obviously it would have been an exercise in futility for declarer to overtake the eight of trumps with the nine because this would exhaust his trumps and he would only make nine tricks.)

Did you spot the original declarer's mistake? After drawing two rounds of trumps with the ace and king, he should have thought back to the bidding and to the lead. West had to have some reason behind his leap to four

hearts. West appeared to have a doubleton club, as East did not try for a ruff, so his most likely shape was 2=5=4=2 (he would not leap to game on a 14 or 15 point 5332 shape). So, after the second round of trumps, declarer should have played on clubs. East could hold up the ace of clubs until the third round but the queen of trumps would be the entry to the established clubs. On this approach, declarer would have made four trumps, a diamond, four clubs and a red-suit ruff.

### Once In A Blue Moon

Full moon in Canberra is in two day's time. The previous full moon was just before the turn of the year. I impart this less than gripping information in a tone of regret that the calendar isn't better synchronised with bridge. Had that earlier moon been a couple of days later then the next one would be a "blue moon"<sup>1</sup> and would have occurred almost simultaneously with another rare event – Mike Cornell and Ashley Bach getting their slam sequences right, which happened in round 12 of the SWPT.

2	♠ A7 ♥ 6543 ♦ KJ4 ♣ T862	NS Vul Dir E																														
♠ 954 ♥ J2 ♦ AQ865 ♣ Q53	♠ KQ ♥ AKQ987 ♦ 3 ♣ AK97																															
	♠ JT8632 ♥ T ♦ T972 ♣ J4	<table border="1" style="border-collapse: collapse; font-size: 0.8em;"> <tr> <td></td> <td>♠</td> <td>♥</td> <td>♦</td> <td>♣</td> <td>NT</td> </tr> <tr> <td>N</td> <td>-</td> <td>-</td> <td>-</td> <td>-</td> <td>-</td> </tr> <tr> <td>S</td> <td>-</td> <td>-</td> <td>-</td> <td>-</td> <td>-</td> </tr> <tr> <td>E</td> <td>5</td> <td>3</td> <td>6</td> <td>-</td> <td>5</td> </tr> <tr> <td>W</td> <td>6</td> <td>3</td> <td>6</td> <td>-</td> <td>6</td> </tr> </table>		♠	♥	♦	♣	NT	N	-	-	-	-	-	S	-	-	-	-	-	E	5	3	6	-	5	W	6	3	6	-	6
	♠	♥	♦	♣	NT																											
N	-	-	-	-	-																											
S	-	-	-	-	-																											
E	5	3	6	-	5																											
W	6	3	6	-	6																											

<sup>1</sup> A blue moon is the second to occur in a calendar month and happens every 2 to 3 years. Just like Mike and Ash accurately bidding slam



West (Ash)                      East (Mike)

3♦                                  2♣

4♥                                  3♥

5♣                                  4NT

   6♥

The ♠J was led to North's Ace and a spade was continued, taken by Mike, He cashed the ♥A, noting the fall of the 10 and then played a diamond to the Ace and ruffed a diamond. A heart to the Jack and another diamond ruff which brought down the King was the end of the hand.

As Mike points out, even if the ♦K doesn't come down at this point, there must be huge squeeze chances with menaces in the fourth club, the ♠9 and the diamonds.

14                                  Nil Vul  
   Dlr E

♠ 76	♠ J98	♠ AT42
♥ 8	♥ KQJ9752	♥ AT4
♦ AK632	♦ T	♦ QJ87
♣ KQT65	♣ 73	♣ AJ

♠ KQ53	♠ 843
♥ 63	♥ Q2
♦ 954	♦ 854
♣ 9842	♣ JT542

	♠	♥	♦	♣	NT
N	-	-	1	-	-
S	-	-	1	-	-
E	6	7	-	3	6
W	6	7	-	3	6

West (Ash)                      East (Mike)

3♦<sup>1</sup>                                  1NT

4♣                                  3♠

4♥                                  4♦

5♥                                  4NT

6♣<sup>3</sup>                                  5NT<sup>2</sup>

   6♦<sup>4</sup>

<sup>1</sup> Game force with the minors  
<sup>2</sup> guarantees all the keycards  
<sup>3</sup> cue  
<sup>4</sup> in Mike's words – "Woosy but happy to be

in slam"

20                                  All Vul  
   Dlr W

♠ AK72	♠ QT965
♥ AKT7	♥ 983
♦ T2	♦ A76
♣ AK6	♣ Q3

♠ 843	♠ 843
♥ Q2	♥ Q2
♦ 854	♦ 854
♣ JT542	♣ JT542

	♠	♥	♦	♣	NT
N	-	-	-	-	-
S	-	-	-	-	-
E	3	2	4	6	5
W	3	2	4	6	5

West (Ash)                      East (Mike)

2NT                                  3♥

4♣<sup>1</sup>                                  4♦<sup>2</sup>

4♥<sup>3</sup>                                  4♠<sup>4</sup>

4NT                                  5♣

6♠

<sup>1</sup> Cue super-accepting spades  
<sup>2</sup> Cue  
<sup>3</sup> Interest in slam  
<sup>4</sup> Sign off



### Board 20 Revisited

Board 20 in round 9 involved the raspberry sundae:

<b>20</b>	♠ K764	All Vul
	♥ 9	Dir W
	♦ T54	
	♣ Q9876	
	♠ Q52	♠ AQJT8743
	♥ K65	♥ AJ932
	♦ Q7	♦
	♣ KJ542	♣
	♠ AJT983	
	♥ 2	
♦ K86		
♣ AT3		

	♠	♦	♥	♠	NT
N	2	-	-	3	-
S	2	-	-	3	-
E	-	6	6	-	-
W	-	6	6	-	-

Two late breaking stories.

Tony Jackman opened the East hand 1♥ and South put in a weak 2♠. Richard Wallis called 2♥! The sheriff went through due process and Richard chose to replace his bid with a pass – thus banning Tony from the rest of the auction. North passed and the hand was played in 2♠ making three. How do you fancy taking that one back to your team-mates?

No problem. Some undistinguished bidding was followed by some undistinguished defence so that North South made 4♠x and Tony and Richard’s team collected 12 imps.

Richard’s brother, Jimmy, was playing with Bill Nash. East gave his opening bid quite a bit of thought and Bill was ready to bid 1♠ over 1♥ and 2♠ over 2♥. When East did bid, it was 5♥, so Bill bid 5♠. West raised to 6♥ and Jimmy to 6♠. East started to think again, so Jimmy consoled him saying, “Shame, you only get a hand like that once in a life

time.” East agreed somewhat ruefully but then, a little defiantly, bid 7♥. One off.

### Bidding Forum.

A number of bidding problems for you to solve but these are under very particular conditions. If you are East or West then at the half way stage of a 64 board match you are 57 imps behind; if you are North-South, you are 57 imps ahead. Can you turn the tide or do a King Canute?

This was the position at the start of the third segment of the NOT quarter final when Brown (+57) faced Otvosi.

1. You, West, favourable, hold  
♠ 842 ♥KQ9865 ♦96 ♣62

West	North	East	South
		1NT	P
2♦	P	2♥	P
P	2♠	P	P
?			

And your choice is?

	♠ AQ1075	
	♥ 42	
	♦ KJ2	
	♣ AQ4	
♠ 842	N	♠ KJ96
♥ KQ9865	W	♥ AJ10
♦ 96	E	♦ A103
♣ 62	S	♣ J108
	♠ 3	
	♥ 72	
	♦ Q8754	
	♣ K9753	

A 3♥ call was found and the 500 on offer from 2♠x became -50.



2. You hold ♠ K743 ♥ A532 ♦ QJ ♣ K62

All vul and

West	North	East	South
P	1♣	P	1♥
P	3♣	P	?

And it's your next chance to make a difference.

Terry Brown opted for 3NT on

	♠ K98		
	♥ A		
	♦ AK86		
	♣ AQ832		
♠ Q10652	N W                      E S	♠ A73	
♥ Q9653		♥ 872	
♦ 3		♦ QJ97542	
♣ J6		♣	
	♠ J4		
	♥ KJ104		
	♦ 10		
	♣ K109754		

While the bidding in the other room

North	South
	P
2NT	3♣
3♥	4♣
4♦	4♥
4NT	5♣
6♣	

produced a more profitable 1370.

4. A low level decision this time

South: ♠ A632 ♥ 962 ♦ Q9 ♣ 9854

After two passes, LHO opens a multi.

Partner doubles and LHO passes. It's all vul so you?

	♠ AQ9		
	♥ 109		
	♦ A3		
	♣ AQ9875		
♠ 1085	N W                      E S	♠ J62	
♥ K76		♥ QJ84	
♦ K854		♦ 109872	
♣ 1043		♣ J	
	♠ K743		
	♥ A532		
	♦ QJ		
	♣ K62		

But wouldn't you rather be in 6♣?

Now one with BIG numbers attached

3. You, North, have at nil vul

♠ K98 ♥ A ♦ AK86 ♣ AQ832

West	North	East	South
			P
P	1♣	3♦	X
P	?		

Avi Kanetkar passed and collected 800 from

	♠ KQ109875		
	♥ A8		
	♦ K74		
	♣ A10		
♠ 84	N W                      E S	♠ J	
♥ QJ7543		♥ K10	
♦ J10		♦ A86532	
♣ KJ3		♣ Q762	
	♠ A632		
	♥ 962		
	♦ Q9		
	♣ 9854		



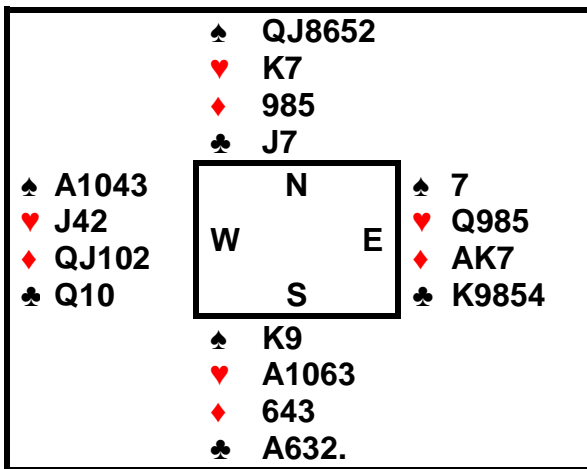


Terry found a really scary looking pass. If West guts it out, DeepFinesse has 2♦x making. Happily for the Brown team, West bid 2♥ and, moments later, Avi Kanetkar was declaring 4♠ in some comfort.

5. Favourable, you, South, hold

♠K9 ♥ A1063 ♦ 643 ♣A632

Partner opens a weak 2♣ and RHO doubles. You inspired move is?



Why bid as South? If it's passed out you'll be delirious. If West pulls it then you can always come again. Terry chose to redouble. West bid 3♦ and everyone passed. Isn't that the most mediocre of all worlds?

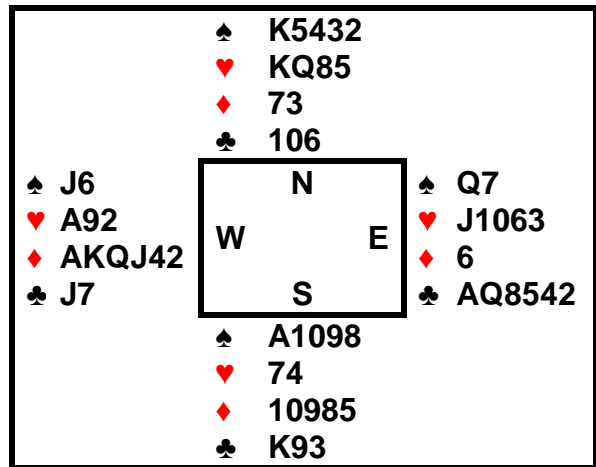
Now look at the West hand and remember that you're 50 or so imp behind. Wouldn't you be just a teensy bit tempted to pass 2♣x? Wouldn't you? Not even a tiny bit? Terry's redouble raised the stakes to just too high a level.

6. This time, you're the team needing action and you hold at all vul

♠ J6 ♥ A92 ♦ AKQJ42 ♣ J7

and there are three passes.

This one seems pretty easy. You close your eyes and bid 3NT. What else?



Woytek Gavel called 3NT and ended the auction

This is analogous to an Acol 3NT opener. So the classic lead is an Ace. Avi Kanetkar had a problem – no Aces, so he led the next best thing ♥K. Avi and Terry developed their first grey hairs as Woytek cashed six rounds of diamonds but got all their discards right and ended up with the five defensive tricks which were rightfully theirs – the spade blockage preventing any more.

Nil vul and this time, you're the lagging team

You have ♠8742 ♥J4 ♦AKJ65 ♣ K3

RHO 1♦	LHO 1♠
2♣	3NT

So you?

Woytek Gavel doubled and was gratified to see

	♠ AJ109	
	♥ KQ5	
	♦ 73	
	♣ J1075	
♠ 8742	N	♠ K3
♥ J4	W                  E	♥ 10986
♦ AKJ65	S	♦ 42
♣ K3		♣ 98642
	♠ Q65	
	♥ A732	
	♦ Q1098	
	♣ AQ	

Jeremi Stepinski led a diamond as instructed and Avi only had eight tricks.

An interesting set. Lots of opportunities to swingimps – some taken, some not – without anyone doing anything ridiculous.

During the past week, both Sartaj Hans and Ishmael Del Monte have commented to me that winning bridge is about not making mistakes. (I'm not sure why they both looked at me in a particularly meaningful manner while saying this.) This set gave everyone the chance to make mistakes but for the most part the players avoided the BIG mistakes. While Woytek and Jeremi tried manfully to create traps, Avi and Terry were equally adept at avoiding (most of) them.




## PAUL LAVINGS BRIDGE BOOKS

Visit our stall at the  
top of the stairs

**New and second hand books**

**MANY SPECIALS**

Software at 10% discount

**GIFTWARE**

pens jewellery T-shirts  
tea towels serviettes  
Club Supplies

Expert Advice

Visit us online at [www.postfree.cc](http://www.postfree.cc)  
Email [postfree@bigpond.net.au](mailto:postfree@bigpond.net.au)



The Quarter Finals in progress

### 2013 NOT QUARTER-FINAL 2013

Table	Team	Round 1	Round 2	Round 3	Round 4	Total
1	<b>Otvosi</b> E Otvosi, J Stepinski, M Nowosadzki, P Wiankowski, W Gawel	37	6	42	45	130
	<b>Brown</b> T Brown, A Kanetkar, B Neill, K Morrison, P Lavings, R Krochmalik	30	70	28	24	152
Table	Team	Round 1	Round 2	Round 3	Round 4	Total
2	<b>Thomson</b> M Thomson, P Newman, I Del'Monte, H Melbourne	46	21	47	52	166
	<b>Bojoh</b> L Bojoh, J Tueje, S Dewi, K Murniati, C Sumampouw, R Andhani	17	50	14	32	113
Table	Team	Round 1	Round 2	Round 3	Round 4	Total
3	<b>Bloom</b> M Bloom, P Gill, S Hans, T Nunn, A Peake	40	22	25	32	119
	<b>Beauchamp</b> D Beauchamp, N Van Jole, I Robinson, I Thomson, A Braithwaite	34	58	33	21	146
Table	Team	Round 1	Round 2	Round 3	Round 4	Total
4	<b>Ware</b> M Ware, M McManus, P Gumby, W Lazer, L Milne, M Whibley	40	52	39	66	197
	<b>Klinger</b> R Klinger, M Mullamphy, B Jacobs, B Thompson, M Cornell, A Bach	32	12	2	19	65

**2013 FRIDAY FESTIVAL TEAMS Round  
6 - 2013**

Place	Name	Score
1	Williams	122
2	Watts	114
3	Ingham	108
4	Maluish	105
5	Leibowitz	104
6	Francis	101
7	Ng	101
8	Whitty	99
9	Perley	95
10	Brockwell	94
11	Hayes	93
12	Colmer	92
13	O'Donohue	92
14	Wallis	90
15	Stralow	90
16	Pattison	89
17	Brennan	87
18	Miller	85
19	Lockwood	85
20	McDonald	83
21	Small	82
22	Henderson	81
23	O'Brien	76
24	Moss	75
25	Kovacs	75
26	Unknown	70
27	McMahon	67
28	Blackledge	21



**Winners of the Festival Teams**

### 2013 SWPT CATEGORY FINAL 2013 - MIXED TEAMS

Table	Team	Total
1	<b>Cartmell</b> M Cartmell, M Bookallil, N Fahrer, S Fischer, L King, K Neale	-22
	<b>Strasser</b> N Strasser, P Gosney, P Vanderpoel, D Skipper	22

### 2013 SWPT CATEGORY FINAL 2013 - NOVICES

Table	Team	Total
2	<b>Samarcq</b> S Samarcq, R Follett, G Dooley, D O'Connor, D Clarkson, P Kowald	29
	<b>Spilsbury</b> M Spilsbury, K George, L Steed, M Turner	-29



Above: winners SWPT Mixed and below SWPT Novices



GOLD COAST CONVENTION CENTRE | GOLD COAST HIGHWAY | BROADBEACH | AUSTRALIA

THE **QUEENSLAND BRIDGE ASSOCIATION**,  
IN CONJUNCTION WITH THE **AUSTRALIAN  
BRIDGE FEDERATION** PRESENTS THE...

**GOLD COAST**

**CONGRESS**

FRIDAY FEBRUARY 22<sup>ND</sup>  
TO SATURDAY MARCH 2<sup>ND</sup>

**2013**



For further enquiries or to register, contact: KIM ELLAWAY

**Call: +61 7 3351 8602 or +61 4 1206 4903**

**Fax: +61 7 3103 4799**

**Email: [manager@qldbridge.com](mailto:manager@qldbridge.com)**

Want to know more?

**[www.qldbridge.com/gcc](http://www.qldbridge.com/gcc)**



Come & join us at the  
**2013 VICTOR CHAMPION CUP  
BRIDGE FESTIVAL**



**An ABF Gold Point and Playoff Qualifying Points Event**

**6<sup>TH</sup> JUNE – 10<sup>TH</sup> JUNE 2013**

**10AM START ALL DAYS**

**JUNE 6 – 7 SWISS PAIRS EVENTS  
WOMENS, SENIORS, OPEN, RESTRICTED, AND <50 MP**

**JUNE 8 – 10 SWISS TEAMS EVENTS  
OPEN & RESTRICTED**

Venue: Bayview Eden  
6 Queens Road, South Melbourne Victoria

Details and enter via the website: [www.vba.asn.au/vcc](http://www.vba.asn.au/vcc)