

# The Summer Festival of Bridge

## Daily Bulletin 6

Rydges Lakeside, Canberra

January 21<sup>st</sup> 2013

### 2013 WOMENS TEAMS FINAL 2013

Table	Team	Round 1	Round 2	Round 3	Round 4	Total
1	<b>Travis</b> B Travis, C Ginsberg, E Havas, N Djurovic	46	14	47	24	131
	<b>Kalmin</b> L Kalmin, L Ichilcik, R Kaplan, P McLeish	4	48	35	25	112

### 2013 SENIOR TEAM FINAL 2013

Table	Team	Round 1	Round 2	Round 3	Round 4	Total
1	<b>Buchen</b> P Buchen, H Christie, C Hughes, B Waters, T Antoff, A Simpson	49	5	20	9	83
	<b>De Livera</b> A De Livera, B Neill, S Hinge, K Morrison	17	26	28	24	95

### 2013 Summer Festival Courtesy Bus Route

Approximate Pickup Time	Accommodation	Address
8.20am	Kingston Terrance Serviced Bentley Apartments	16 Eyre Street, Kingston 10 Canberra Ave, Forrest
8.35am	Hyatt Rydges	Commonwealth Avenue, Barton Drop off
8.45am	Liversidge Court University House	Liversidge St Cnr Liversidge St & Balmain Cres, ANU, Acton
9.00am	Novotel	65 Northbourne Ave
9.10am	Tall Trees Motel	Stephens Street, Ainslie
9.15am	Rex Hotel	150 Northbourne Ave
9.20am	Marque (also Capital Apartments)	108 Northbourne Ave
9.20am	Clifton Suites James Court Apartments	100 Northbourne Ave 74 Northbourne Ave
9.30am	Olim's Hotel Argyle Apartments	Cnr Limestone Ave & Ainslie Ave 144 Curong Street
9.40am	Crowne Plaza Waldorf Apartments	1 Binara Street 2 Akuna Street, CBD

***The courtesy Bus will leave the first accommodation site 90 minutes before playbegins and will return after play. It is **approximately** 5 minutes between stops.***



### Tim Bourke's Problem

#### 6. CRUSHED

Dealer East. E-W Vul.

**NORTH**

♠ Q J 6  
♥ 6  
♦ A J 9 8 3  
♣ Q J 7 5

**SOUTH**

♠ K 10 9 8 4  
♥ Q 8 7 5  
♦ 2  
♣ A K 9

<b>West</b>	<b>North</b>	<b>East</b>	<b>South</b>
		1♦*	1♠
Double	2♦	Pass	2♥
Pass	4♠	All pass	

\* 4+ diamonds unless precisely 4=4=3=2 shape

West makes a negative double and North's cue-bid shows a sound raise in spades. As you were uncertain about the final spot you made a trial bid in hearts, prompting North to leap directly to game. How do you plan to make ten tricks after West leads ace and another trump?

### A Problem Courtesy Of Ron Klinger

Try this problem:

Dealer North : East-West vulnerable

<b>West</b>	<b>North</b>	<b>East</b>	<b>South</b>
---	1♥	1♠	2♦
4♠	Pass	Pass	?

What would you do as South with:

♠ - ♥ 975 ♦ KQJ1095 ♣ KQ53 ?

North dealer : East-West vulnerable

North

♠ Q10  
♥ AKQ108  
♦ 7  
♣ J8762

West

♠ J75432  
♥ J6  
♦ 32  
♣ A109

East

♠ AK986  
♥ 432  
♦ A864  
♣ 4

North

♠ ---  
♥ 975  
♦ KQJ1095  
♣ KQ53

<b>West</b>	<b>North</b>	<b>East</b>	<b>South</b>
---	1♥	1♠	2♦
4♠	Pass	Pass	?

Double for penalties (because partner has opened) does not work well, as 4♠ is cold. 5♦ is reasonable, but fails via a club ruff. 5♥ can also be beaten via the club ruff sooner or later. North-South need to find 5♣, which cannot be defeated. There are two possibilities:

- (1) Double for takeout. North will bid 5♣.
- (2) If double for takeout is not available, then 4NT for takeout. This implies only 4 clubs. With 5-5 in the minors you would bid 5♣ yourself. After 4NT for takeout North will bid 5♣.

Results in the Women's semi-finals: 5♠ E – 100, 5♥ +450 twice, 6♣ –50. 5♠ –100 would be par for East-West if N-S had reached 5♣, but not otherwise. Hard to see how 5♥ made twice. Suppose East leads the ♠K, a natural



start. Declarer ruffs and then what? If declarer plays a diamond, the club ruff should be obvious. If declarer plays heart to the ace, spade ruff, low club, what chance is there other than ♣A and another club?

Results in the Seniors semi-finals: 5♦ –50 twice, 5♥ doubled –100, 4♠ doubled +790,



### Tim Bourke's Problem - SOLUTION

Although it is not crucial, you unblock one of dummy's trump honours under the ace. After winning the second trump cheaply in hand, you judge West began with a doubleton trump, because he would surely have led a low trump from ace third. So, there is no chance of a ruffing a heart in dummy as East will win the heart trick and play a third trump.

Consequently, you will need to set up the diamond suit and this should be possible if West holds the ten of diamonds. The layout you need will be similar to this one:

**Material for the Daily Bulletin can be left at the Congress Desk or emailed to me at**

[alan@tayl0rs.co.nz](mailto:alan@tayl0rs.co.nz)

**The 0 is a zero not a letter**

♠ Q J 6  
6  
♦ A J 9 8 3  
♣ Q J 7 5

♠ A 3  
♥ J 10 9 4 2  
♦ 10 7 6  
♣ 10 3 2

♠ 7 5 2  
♥ A K 3  
♦ K Q 5 4  
♣ 8 6 4

♠ K 10 9 8 4  
♥ Q 8 7 5  
♦ 2  
♣ A K 9

When you lead the two of diamond to the eight and queen, East wins and returns a third round of trumps, which you win in the dummy. Next you cash the ace of diamonds, throwing a heart, and then lead the jack of diamonds. East covers with the king of diamonds and when you ruff West's ten of diamonds falls, as you had hoped. You will make four trumps, four clubs and two diamonds for your required total of ten tricks.

### The Second Day Of The Swiss

Match 7 saw overnight leaders Ishmael Del Monte and Howard Melbourne take on Chris Diment Pairs winners, David Weston and Julian Foster.

It wasn't the most inspiring set of boards but there were some hands of interest.

David and Julian applied maximum pressure on this one and caused a misjudgement.

<b>22</b>	♠ Q83	Dir: E
	♥ 982	Vul: E-W
	♦ KQJ963	
	♣ 8	
♠ 10	♠ K42	
♥ AJ76	♥ KQ1054	
♦ A74	♦ 8	
♣ AK762	♣ Q1053	
8	♠ AJ9765	♣♦♥♠NT
16 10	♥ 3	N - 2 - 2 -
6	♦ 1052	S - 2 - 2 -
	♣ J94	E 6 - 6 - 5
		W 6 - 6 - 1

Ish (East) passed and Julian opened a weak two in spades. Howard doubled and David leapt to the spade game. Ish stepped in with 5♥ and, after considerable thought, Howard passed. Twelve tricks were not difficult to arrange.

A datum of only -750 suggests that this slam was beyond the bulk of the field. Ish expressed the opinion strongly that it should not have been beyond Howard and him.

Then a fairly horrible misfit hand was solved by Howard in one bid.

<b>23</b>	♠ 10963	Dir: S
	♥ 64	Vul: Both
	♦ AK1082	
	♣ 82	
♠ 84	♠ AQJ52	
♥ QJ	♥ A10873	
♦ 6	♦ J75	
♣ AK1096543	♣	
7	♠ K7	♣♦♥♠NT
10 12	♥ K952	N - 3 - - 1
11	♦ Q943	S - 3 - - 1
	♣ QJ7	E 4 - 3 2 -
		W 4 - 3 2 -

Julian passed and Howard opened 3♣. Nobody could think of anywhere to go.

The ♦A was led but Howard ruffed the King which followed. He drew two rounds of trumps and then ran the ♥Q. He could now overtake the ♥J and save himself the spade finesse by pitching on the ♥10. Making 10

tricks and a handy pickup against a datum of +20 for North-South.



Photograph: Edith Meli

Ish, Julian, Howard and David

Then the club suit was kind once again to the leaders when Julian misjudged a defensive position.

<b>25</b>	♠ 54	Dir: N
	♥ 8642	Vul: E-W
	♦ 107654	
	♣ 32	
♠ K8	♠ QJ1032	
♥ J9753	♥ AKQ	
♦ 982	♦ K	
♣ 964	♣ QJ85	
0	♠ A976	♣♦♥♠NT
4 18	♥ 10	N 1 4 - - 2
18	♦ AQJ3	S 1 4 - - 2
	♣ AK107	E - - 1 1 -
		W - - 1 1 -

David passed and Ish opened 1♠. Julian put in 1NT which ran back to Ish. He closed proceedings in 2♣.

Julian began the defence with the trump Ace and then switched to his singleton heart. Ish took that and led the ♠Q, ducked. He switched to the other black Queen – again ducked. Back to spades and Julian took his Ace to leave:

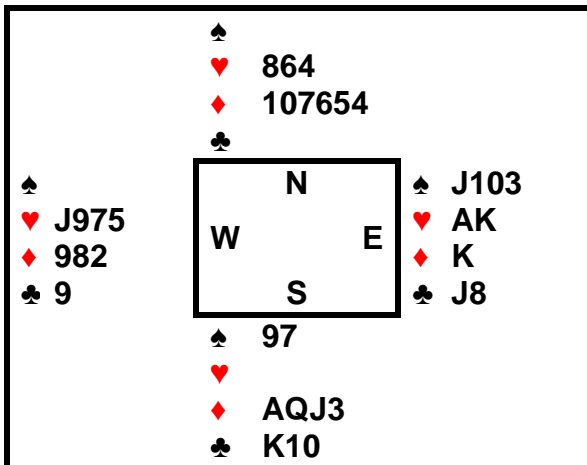


beat the contract, however...

Julian took the elad on table and played a trump to his Queen. Howard must take this to play a second diamond. When Ish is in with the trumpKing, he can cross to Howard's ♣A and receive a diamond ruff. Howard, unfortunately, ducked the ♠Q and now there was no more problem for Julian.

Onto the next match and Matthew Mullamphy and Ian Thomson took on Griff Ware and Michael Ware.

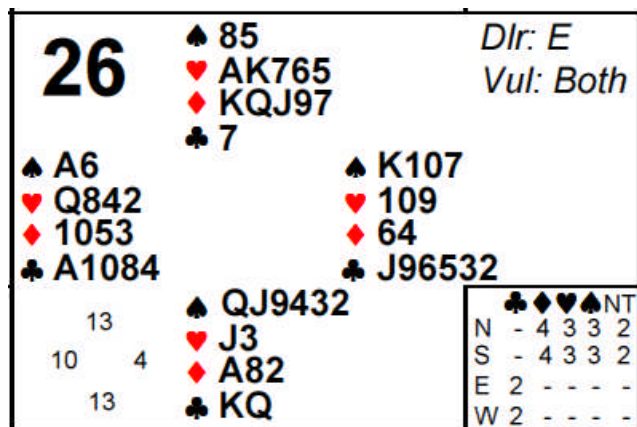
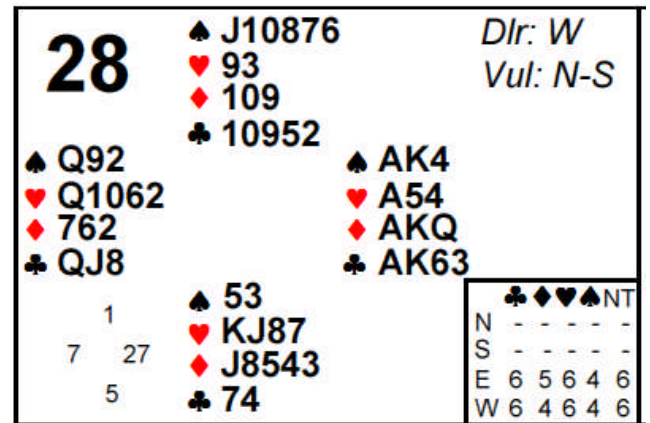
Matthew and Ian got off to the flier of all fliers:



Julian continued with the ♠9. Ish took this, pitching a diamond from table and played the other high spade to pitch a second diamond. Finally on the ♠3, Julian was able to ruff but dummy's last diamond disappeared, Julian could only now cash two more tricks for the contract to make.

In the diagram position, Julian must cash the ♦A and ♣K before playing a second diamond. This removes Ish's last trump and the contract will be one down.

Onto the next and it was Howard's turn to have a defensive slip.



Julian opened 1♠ and was quickly in game in that suit.

Howard led a diamond – the only lead to

Ian opened the East hand 2♣ and Matthew responded 2♦. 2♥ from Ian asked again and Matthew showed a semi-positive with 2NT. Ian made an invitational raise to 4NT and Matthew bid the slam.

Michael led the ♦10, taken in dummy and Matthew cashed the club suit, during which operation Griff discarded a couple of diamonds from the South hand. So Matthew cashed two rounds of diamonds and then two rounds of spades. After deep thought, he played a small heart off table. Griff played the 7 but there was no way for Matthew to go wrong. Making 12 tricks.

Then came:



<b>29</b>	♠ AQJ764	Dir: N																									
	♥ K10	Vul: Both																									
	♦ Q9																										
	♣ Q104																										
♠ K10	♠ 983																										
♥ Q7	♥ A9842																										
♦ AKJ1065	♦ 8743																										
♣ A72	♣ 5																										
14	♠ 52	<table border="1"> <tr><th>♣</th><th>♦</th><th>♥</th><th>♠</th><th>NT</th></tr> <tr><td>N</td><td>4</td><td>-</td><td>-</td><td>1</td></tr> <tr><td>S</td><td>4</td><td>-</td><td>-</td><td>1</td></tr> <tr><td>E</td><td>-</td><td>4</td><td>1</td><td>-</td></tr> <tr><td>W</td><td>-</td><td>5</td><td>1</td><td>-</td></tr> </table>	♣	♦	♥	♠	NT	N	4	-	-	1	S	4	-	-	1	E	-	4	1	-	W	-	5	1	-
♣	♦		♥	♠	NT																						
N	4		-	-	1																						
S	4		-	-	1																						
E	-	4	1	-																							
W	-	5	1	-																							
17	♥ J653																										
	♦ 2																										
5	♣ KJ9863																										

Michael opened 1♠ as dealer and Ian passed. Griff responded 1NT which Matthew passed hungrily. However, Michael corrected to 2♠ and this went round to Matthew. He stepped in with 3♦, which Michael and Ian passed. Griff didn't – he doubled. Three passes were probably not what Griff had envisaged.

Michael went for the throat by leading the ♥K – this was not best. Matthew took the Ace, drew trumps and moments later claimed all thirteen tricks for +1470.

A couple of boards respite before Griff and Michael got one back:

<b>32</b>	♠ KJ9643	Dir: W																									
	♥ 7	Vul: E-W																									
	♦ AK4																										
	♣ AK6																										
♠ Q8	♠ 52																										
♥ AKQ	♥ J10842																										
♦ J106	♦ 852																										
♣ J10942	♣ Q53																										
18	♠ A107	<table border="1"> <tr><th>♣</th><th>♦</th><th>♥</th><th>♠</th><th>NT</th></tr> <tr><td>N</td><td>2</td><td>6</td><td>2</td><td>6</td></tr> <tr><td>S</td><td>2</td><td>6</td><td>2</td><td>6</td></tr> <tr><td>E</td><td>-</td><td>-</td><td>-</td><td>-</td></tr> <tr><td>W</td><td>-</td><td>-</td><td>-</td><td>-</td></tr> </table>	♣	♦	♥	♠	NT	N	2	6	2	6	S	2	6	2	6	E	-	-	-	-	W	-	-	-	-
♣	♦		♥	♠	NT																						
N	2		6	2	6																						
S	2		6	2	6																						
E	-	-	-	-																							
W	-	-	-	-																							
13	♥ 9653																										
	♦ Q973																										
6	♣ 87																										

Matthew opened 1♣ and Michael overcalled 1♠. Ian passed and Griff raised to 2♠. That sent Michael to a 4♥ splinter which in turn sent Griff to RKCB. Three keycards and the ♠Q (Michael awarding himself that lady because of his extra trump) was enough for

the slam to be bid. A club was led, so Michael played two more rounds of the suit, ruffing the last in dummy. When the ♠Q appeared on the second round of the suit, Michael claimed.



Photograph: Edith Meli

Ian, Griff, Matthew and Michael

Two boards later and Ian found a gutty sacrifice.

<b>34</b>	♠ Q8654	Dir: E																									
	♥ A984	Vul: N-S																									
	♦ 76																										
	♣ 32																										
♠ J93	♠ J93																										
♥ QJ72	♥ 653																										
♦ QJ	♦ A8542																										
♣ AKJ10854	♣ 96																										
6	♠ AK1072	<table border="1"> <tr><th>♣</th><th>♦</th><th>♥</th><th>♠</th><th>NT</th></tr> <tr><td>N</td><td>-</td><td>1</td><td>1</td><td>4</td></tr> <tr><td>S</td><td>-</td><td>1</td><td>1</td><td>4</td></tr> <tr><td>E</td><td>3</td><td>-</td><td>-</td><td>-</td></tr> <tr><td>W</td><td>3</td><td>-</td><td>-</td><td>-</td></tr> </table>	♣	♦	♥	♠	NT	N	-	1	1	4	S	-	1	1	4	E	3	-	-	-	W	3	-	-	-
♣	♦		♥	♠	NT																						
N	-		1	1	4																						
S	-		1	1	4																						
E	3	-	-	-																							
W	3	-	-	-																							
14	♥ K10																										
	♦ K1093																										
15	♣ Q7																										

Ian passed and Griff opened 1♠. Matthew doubled and Michael made a systemic spade raise via 3♦. Ian passed again and Griff called 3♥. Matthew put in 4♣ and Michael bid the spade game. Ian judged his hand to be worth a 5♣ call. Griff doubled but Ian was right. As can be seen, 4♠ was making for +620 but Matthew was able to hold the damage to only 300 in 5♣x.

Then an interesting decision for Griff.

He held ♠ 87 ♥ 1054 ♦ KQJ1096 ♣ AQ

And saw three passes appear.

The "Pearson Count" is a method of evaluating whether or not to bid in the pass-out seat.

To quote the.bridgebum.com website:

Add your high card points and the number of spades in your hand. If the total is 15 or more, then you should open the bidding. if the total is 14 or less, then you should pass the hand out.

Griff had just 14 Pearson Points so he put his hand away. Sadly the cards lie so kindly that +600 was available in 3NT (not that any rational pair is going to get there though when North's email address is mikey3nt – who knows).

<b>36</b>	♠ KJ62	<i>Dir: W</i> <i>Vul: Both</i>
	♥ KQ97	
	♦ 54	
	♣ 1074	
♠ Q9	♠ A10543	
♥ AJ8	♥ 632	
♦ A72	♦ 83	
♣ 98653	♣ KJ2	
	♠ 87	
	♥ 1054	
	♦ KQJ1096	
	♣ AQ	
		♣♦♥♠NT
9		N - 4 2 1 3
11	8	S - 4 2 1 3
12		E 1 - - - -
		W 1 - - - -

If you don't approve of Pearson Points perhaps you should try Larry Cohen's alternative (again from bridgebum):

When faced with a borderline decision to bid after hearing Pass-Pass-Pass, Cohen recommends considering who your opponents are. Against a weak pair, open the bidding in hopes of taking advantage of their poor bidding and play. Against a strong pair, Cohen recommends passing the hand out, since your opponents are the ones holding the advantage. Some days you're the pigeon,

some days you're the statue.

Onto Match 10 and Ish and Howard took on Terry Brown and Avi Kanetkar. There were some big hands around. Terry had one to start the set but over-reached;

<b>10</b>	♠ K1074	<i>Dir: E</i> <i>Vul: Both</i>
	♥ 105	
	♦ J976543	
	♣ J63	
♠ AQ952	♠ J63	
♥ J875	♥ 109643	
♦ 32	♦ A98	
♣ K8	♣ Q10	
	♠ 8	
	♥ AKQ2	
	♦ KQJ764	
	♣ A2	
		♣♦♥♠NT
4		N 4 3 1 1 3
10	7	S 4 3 1 1 3
19		E - - - - -
		W - - - - -

Terry opened the South cards 1♦ and Howard overcalled 1♠. Avi passed and Ish raised to 2. Terry tried 3♥ but Avi didn't like that at all, so he called 4♣. Terry raised to game.

The pointed Aces were taken immediately and is hard to avoid a trump loser on this layout – one off

Then Avi tried a little misdirection.

<b>11</b>	♠ 96	<i>Dir: S</i> <i>Vul: None</i>
	♥ AKQJ104	
	♦ J10	
	♣ J52	
♠ AKJ43	♠ 105	
♥ 93	♥ 7	
♦ 7632	♦ AQ85	
♣ KQ	♣ A109876	
	♠ Q872	
	♥ 8652	
	♦ K94	
	♣ 43	
		♣♦♥♠NT
12		N - - 1 - -
13	10	S - - 1 - -
5		E 5 4 - 3 -
		W 5 4 - 3 -

Howard opened 1♠ after a pass from Terry and Avi overcalled 1NT! Ish Two passes saw Avi emerge from hiding with 2♥. Ish overcalled 3♣ and Terry 3♥. There were five obvious losers for -50.







Photograph: Edith Meli

Ish, Terry, Howard and Avi

Onto the next and Howard and Ish got a slam auction right.

<b>12</b>	♠ J1094	Dir: W Vul: N-S
	♥ J65 ♦ K72 ♣ K43	
♠ A	♠ KQ765	
♥ K8	♥ AQ3	
♦ AQJ43	♦ 10865	
♣ AQ976	♣ 2	
	♠ 832	
8	♥ 109742	
20	♦ 9	
1	♣ J1085	
		♣♦♥♠NT
		N - - - - -
		S - - - - -
		E 4 6 3 5 5
		W 4 6 3 5 5

Their auction

Howard	Ish
1♦	1♠
3♣	3♥
3NT	4♦
4♠	5♣
5♥	6♦

Onto the next and Howard and Ish got a slam auction wrong.

<b>13</b>	♠ 84	Dir: N Vul: Both
	♥ Q93 ♦ QJ9542 ♣ 43	
♠ AK2	♠ 106	
♥ K6	♥ AJ105	
♦ K10	♦ A876	
♣ AK9752	♣ 1086	
	♠ QJ9753	
5	♥ 8742	
20	♦ 3	
6	♣ QJ	
		♣♦♥♠NT
		N - - - - -
		S - - - - -
		E 7 4 7 3 7
		W 7 4 7 3 7

Avi opened a weak 2♦ and two passes followed. Somewhat precipitately Howard called 3NT and there it ended. Thirteen tricks were managed without declarer breathing heavily (though the same cannot necessarily said about dummy!)

Two boards later and the slam was North-South

<b>15</b>	♠ AKJ86	Dir: S Vul: N-S
	♥ AK53 ♦ 102 ♣ KJ	
♠ 1053	♠ 94	
♥ 10876	♥ QJ9	
♦ 74	♦ K985	
♣ Q653	♣ 10874	
	♠ Q72	
19	♥ 42	
2	♦ AQJ63	
13	♣ A92	
		♣♦♥♠NT
		N 4 6 5 7 7
		S 4 6 5 7 7
		E - - - - -
		W - - - - -

Terry opened 1♦ and Avi responded in spades. A raise from Terry saw Avi reach for his driver. The keycard responses were sufficient for the small slam. The position of the ♦K was sufficient for thirteen tricks to be made.

And the last big hand saw Ish and Howard get a near-slam auction right:



18	♠ A3	Dir: E Vul: N-S
	♥ 10752	
	♦ 982	
	♣ 7652	
♠ J8542	♠ K107	
♥ AJ64	♥ KQ9	
♦ K106	♦ AQ4	
♣ 10	♣ AK93	
	♠ Q96	
4	♥ 83	
9 21	♦ J753	
6	♣ QJ84	
		♣♦♥♠NT
		N - - - -
		S - - - -
		E 3 4 5 5
		W 3 4 5 4

Their auction was:

Howard	Ish
	2NT
3♣	3♦
3♥	3♠
4♣	4NT
5♣	5♦
5♥	

By 3♠, Howard had shown five spades and four hearts. 4♣ was a cue and then came keycard. Howard showed one and Ish asked another question. Howard thought that 5♥ showed no Queens but Ish thought no Kings – whatever, they subsided in the right spot.

### THE HOG RETURNS (apologies to Mollo and Simon)

Peter Marler

16	♠ KQ7	Dir: W Vul: E-W
	♥ AQJ98653	
	♦ J	
	♣ 3	
♠ 865	♠ A94	
♥ K10	♥ 74	
♦ 7432	♦ AK	
♣ QJ94	♣ AK8765	
	♠ J1032	
13	♥ 2	
6 18	♦ Q109865	
3	♣ 102	
		♣♦♥♠NT
		N - 2 3 1 -
		S - 2 3 1 -
		E 3 - - - -
		W 3 - - - 3

North – the Rueful Rabbit; East – Walter the Walrus; South - the Hideous Hog; West – Mrs Guggenheim.

W	N	E	S
P	2♣	X	2♦
P	4♥	X	ALL PASS

The auction is self-explanatory. Mrs G would never have bid (she may have to play the hand), the Hog hoped to become Declarer, the Rabbit thought nine tricks were enough for game in Hearts, and the Walrus had 18 points in Aces and Kings – the possibility that five tricks for the Defence did not always equate to five losers for the Declarer did not cross his mind.

The Walrus began with a thunderous ♣A and a mildly disappointing ♣K, which the Rabbit ruffed. Planning to limit the damage by establishing the Spades for discards, the Rabbit called for a small spade from Dummy. “Aren’t you in your hand?” enquired Mrs G meekly. “You have to play a Spade from hand” said the Walrus (whose knowledge of the Laws was worse than his Bridge).

Resigned to his fate, the Rabbit led ♠7 from hand. Secure in the knowledge that second hand always plays low, the Walrus was only slightly discomfited by the sight of the ♠J securing the trick.

“You are now in Dummy, partner” said the Hog – emphasising the point by placing his finger firmly on the ♥2. Although the Double clearly showed the futility of the Heart finesse, the Rabbit could not resist the temptation of making the only advanced play in his armoury and took the Heart finesse. Since he could neither enter Dummy nor take another finesse, the ♥A completed trump plays, and even the Rabbit



could work out that establishing the remaining Spades might bear some fruit.

Amid the remarks of Mrs G – “Did I do something wrong?” and the Walrus - “But I had five tricks!” the Hog’s habitual snarl became a smile as he loudly pronounced “Rising with the ♠A would have prevented Declarer reaching Dummy for the Heart finesse”. It always pays to sow discord among the opponents as an investment for the future.

[www.bridgedailybulletins.nl](http://www.bridgedailybulletins.nl)

Frank van Wezel and Hans van de Konijnenberg live in the Netherlands. They both collect books, magazines and daily bulletins about bridge. They especially enjoy reading daily bulletins from the pre-internet era because these bulletins contain a lot of wonderful photographs, marvellous sketches, splendid deals and tremendous stories and anecdotes.

In the fifth bulletin of the fifth World Pair Olympiad 1978 Alfred Sheinwold wrote a article titled: **Risking life and limb – All in a day’s work.**

*Few readers realize what our reporters go through to get the news. We will allow one of them to speak for himself:*

*“From across a crowded room, saw four men sitting upside down. Hurried over and saw Ron Klingler and Don Evans of Australia playing against New Zealand’s Roy Kerr and Paul Marston. ”At great risk to life and limb, turned self upside down to watch what was going on. They were just beginning board 8 of the fourth qualifying session:*

Dir: West. Vul: None

♠ A Q J 10 9 8 5 7 5

♥ Q 5 4

♦ 6

♣ 9 5

♠ 6 4 2

♥ A J

♦ J 10 7 4 3

♣ J 10 7

♠ K 7 3

♥ 10 9 7 6 3

♦ A K 9 8

♣ 6

♠ - -

♥ K 8 2

♦ Q 5 2

♣ A K Q 8 4 3 2

West	North	East	South
Klingler	Marston	Evans	Kerr
Pass	3♠	Pass	Pass
Pass			

*“Kerr didn’t pass quickly. In fact, he growled in Maori as he put down the dummy. Don’t understand much Maori, but SOB sounds same in all languages. East led ♦K and shifted to singleton club. Declarer dropped the nine from hand, fooling nobody. He ruffed a diamond, cashed ♠A and then led ♠8. East hesitated, which was reasonable, then played low, which was not. North presumably had a seven-card suit, so West could not have started with Q-x or J-x. If West had J-x-x, it would cost a trick to play the king, but then East would have to get the trick back by ruffing with the king. Playing a low trump on the second round would gain for east only if partner had specifically ♠Q-10-x.”*

*“Still, give Marston credit for a deceptive play that worked. He continued with another spade, and East was in with the king. East shifted to the ♥10, and dummy (which had discarded one low heart) played low. It was Klingler’s turn to go into a huddle (and it’s a*



*terrible thing to see a grown man huddle with his feet up in the air). Playing ♥A would cost a trick if partner had led from Q-10-9. Playing ♥J would cost a trick if North had the queen (since the ace would go to sleep). Finally, Klinger put up ♥A, saving a trick and holding North to 170.”*

*“ ‘You should not lead the ♥10’, Klinger grumbled. ‘If I have A-Q or A-Q-J of hearts, it doesn’t matter which heart you lead. The only case that matters is when I hold A-J of hearts – and then you want me to play the ace without any problems. So you should lead the 9 rather than the 10’.”*

*“It seemed time to put in a word.’ You shouldn’t expect the right heart from a partner who didn’t know which spade to play*

*on the second round of trumps.’ I observed.*

*“That’s why I have this black eye. And I was going to have that front tooth taken out anyway.”*

Frank and Hans decided that this material should be at the disposal of all bridge players. At the same time, they want to save the history of bridge from oblivion. Therefore they launched a free website [www.bridgedailybulletins.nl](http://www.bridgedailybulletins.nl) where you can find thousands of scanned bulletins from the past. The bulletins from recent tournaments are also published. And if you possess bulletins that they are missing, please contact them!



Second in the 0 – 149 Category of the Teams were Howard Carew, Jo Ssklarz, Deana Wilson and Frances Carr-Boyd (missing)



# **SPECIAL OFFER FOR** **ABF MEMBERS ONLY**

***Impressed with your travel  
insurance cover ?***

**\*Now - special deal  
on motor vehicles !**



**Contact TBIB when you receive your next renewal notice:**

- 10% discount off Allianz premiums when arranged through TBIB
- Competitive Motor Insurance for drivers **over 50 years** of age
- Backed by Allianz Australia
- Trusted claims service and repair service
- Optional Windscreen cover available
- **No Claim Bonus** protection available
- Car Rental following an accident option available
- Discounts for Restricted or Nominated drivers
- In-house claims department to assist with your claims.

Contact **Bree** or **Steve** at TBIB on 07 3252 5254 or email a copy of your renewal notice to [breehinchy@tbib.com.au](mailto:breehinchy@tbib.com.au) or [steveweil@tbib.com.au](mailto:steveweil@tbib.com.au)

**2013 NATIONAL OPEN SWISS  
PAIRS FINAL - 2013**

Place	Name	Score
1	I Del'Monte, H Melbourne	221
2	A Kanetkar, T Brown	201
3	J Foster, D Weston	200
4	S Hans, A Peake	198
5	T Leibowitz, A Smirnov	197
6	S Boughey, C Richardson	196
7	P Livesey, R Thomas	196
8	T Kiss, T Ong	195
9	M Mullamphy, I Thomson	195
10	B Krishan, P Timmins	195
11	G Ware, M Ware	195
12	D Cherry, J Horowitz	192
13	M Pemberton, G Wakefield	191
14	P Walters, L Geursen	191
15	M Courtney, S Ingham	191
16	D Geromboux, S Yuen	190
17	H Horwitz, M Thomson	188
18	P Lacey, C Bourke	188
19	J Magee, T Strong	188
20	D Schokman, A Pol	188
21	R Speiser, M Green	187
22	E Lindh, P Phillips	186
23	D Chung, P Beck	185
24	E Zeller, A Dawson	184
25	J Abel, R Kumar	184
26	D Grahame, J Grahame	183
27	D Lusk, P Chan	183
28	L Ma, E Williams	182
29	C Klassen, M Draper	182
30	M Chadwick, T Sharp	182
31	C Sundstrom, D Zines	182
32	J Kelly, E Miller	181
33	M Ginsberg, S Amoils	181
34	G King, S Andrew	181
35	A Bach, P Bach	180
36	N Maclaurin, K Berry	180
37	N Dutton, M Merven	180
38	A Rutter, J Michael	180
39	A Mellings, M Spurrier	179
40	J Wallis, B Nash	179
41	T Jackman, R Wallis	179
42	R Rhodes, M Rhodes	178
43	D Coats, L Lindsay	178
44	R Sebesfi, W Malaczynski	178
45	J Butts, G Malinas	178
46	P Kahler, J Collins	178

Place	Name	Score
47	A Reiner, T Moss	178
48	I Afflick, P Collins	177
49	W Jenner-O'Shea, M Doecke	176
50	R Hills, D Jesner	176
51	T Allen, K Allen	176
52	J Tutty, M Bookallil	176
53	E Tewes, J Newman	175
54	E Samuel, J Fust	175
55	J Wyner, P Gallasch	175
56	M Simes, K Wilks	175
57	A Maluish, N Francis	175
58	L Moses, D McLeish	174
59	D Kwok, J Clifton	173
60	P Weaver, T Bodycote	173
61	S Murray-White, G Whiting	173
62	I Walker, B Adcock	173
63	D Russell, C Ackerley	173
64	G Bilski, M Solar	172
65	S Humphries, S Jacob	172
66	R Fox, L Scorer	172
67	G Finikiotis, L Kalmin	172
68	S Klofa, C Schwabegger	172
69	M Watts, J Ebery	172
70	B Kingham, N Ewart	172
71	E Otvosi, J Stepinski	171
72	V Holbrook, T Davis	171
73	L Seychell, C Manley	170
74	K Bagchi, P Jain	170
75	V Brown, G Smolanko	170
76	K Frazer, G Lovrecz	170
77	R Januszke, J Zollo	170
78	G Chettle, G Lewin	169
79	D Beauchamp, P Strasser	169
80	B Lindsay, P Cox	169
81	B Gilmour-Walsh, G Gray	168
82	J Waldvogel, M Wigbout	168
83	G Riddell, M Haggerty	168
84	N Strasser, P Gosney	167
85	S Mayo, G Mayo	167
86	C Foreman, J Foreman	167
87	N Moore, G Thomas	167
88	H Sawicki, R Frenkel	167
89	S Newton, J Wilkinson	166
90	J Gibbons, C Gibbons	166
91	M Tredinnick, N Grigg	166
92	T Strong, E Strong	165

Place	Name	Score
93	R Nixon, J Rasmussen	165
94	B Peters, J Rowlatt	165
95	A Murray, H Stewart	165
96	B Assaee, Y White	164
97	B Mill, V Taylor	164
98	A Hegedus, A Mill	164
99	E Auerbach, M Ichilcik	164
100	S Brell, R Kinloch	164
101	G Khemka, C Currey	163
102	P Rankin, P Hooykaas	163
103	T Ling, J Stobo	163
104	V Sanderson, R Harman	163
105	P Grigson, S Arnold	163
106	W Chylewski (jun), L Aubusson	162
107	E Fanos, M Foster	162
108	A Braithwaite, S Moses	162
109	J Lawson, J Allanson	162
110	F Gunner, P Wagner	162
111	P Grant, T Marinos	161
112	L Bourke, A Rosenberg	161
113	G Lynn, J Pierce	160
114	M Ross, A Thompson	160
115	F Kovacs, D McRae	160
116	G Wilson, E Wilson	160
117	C Macquarrie, S White	159
118	S Fischer, N Van Vucht	158
119	M Hoenig, S O'Brien	158
120	W Koochew, M Fanning	158
121	L Free, J Free	158
122	P Jeffery, A Johannsson	158
123	C Whittaker, R Case	157
124	C Emul, E Glass	157
125	G Fitzpatrick, F Yu	156
126	G Clarke, S Clarke	156
127	V Rowland, S Milner	156
128	M O'Toole, T Strickland	156
129	S Phillips, L Phillips	156
130	I Glander, M Scudder	155
131	T Nunn, W Ashton	155
132	W Hooper, D Couzner	155
133	T Mangos, L Foran	155
134	C Houghton, W Houghton	155
135	M Mordo, J Bean	155
136	J Blight, H Williams	154
137	R Grund, A Harris	154
138	T Marker, L Errington	153
139	L Wild, H Kolozs	153
140	R Barrett, R Rudzyn	153
141	R Ng, K Lemon	152

Place	Name	Score
142	W Smith, G Cowen	152
143	N Ritzko, M Campbell	152
144	J Sturgul, A Sturgul	152
145	R Limaye, Unknown	152
146	X Ji, Unknown	152
147	H Cohen, J Rose	151
148	A Jez, G Neale	151
149	J Mottram, H Hohnen	151
150	M Obenchain, J Savage	151
151	C Schafer, K Storr	151
152	B Kassam, M Klassen	151
153	R McAuliffe, M McAuliffe	151
154	D Munro, C Gardiner	150
155	P King, L Watson	150
156	F McRae, E Allanson	149
157	M Yuill, M Allison	148
158	G Hollands, S Hollands	148
159	J Scudder, S Morris	147
160	M Stoneman, V Roland	147
161	P Liphay, I Jamieson	147
162	B Chosid, C Geromboux	146
163	F Garrick, B Daghish	146
164	J Feiler, B Edelstein	145
165	A Lamport, L Raymond	144
166	B Pearson, S Hall	144
167	V Cariola, R Massey	144
168	K French, D Sharman	143
169	W Andrews, H Motteram	143
170	C Maybury, M Waterworth	143
171	G Hyslop, B Crossman	142
172	M Geddes, R Broughton	142
173	P Styles, G Johnson	141
174	I Plummer, F Ballard	140
175	A Small, R Smith	137
176	G Fallon, G Henderson	137
177	G Fleischer, A Gal	137
178	M Perley, P Freeland	137
179	G Fletcher, L Leibowitz	135
180	P Yao, M Rabey	135
181	T Martin, Unknown	133
182	K Colbert, L Moss	133
183	C Hucker, M Hucker	132
184	H Taplin, B Plummer	132
185	T Fallet, C Gallagher	130
186	C McDonald, M Bucens	130
187	J Masters, K Donaldson	129
188	H Sharwood, R Dunn	120

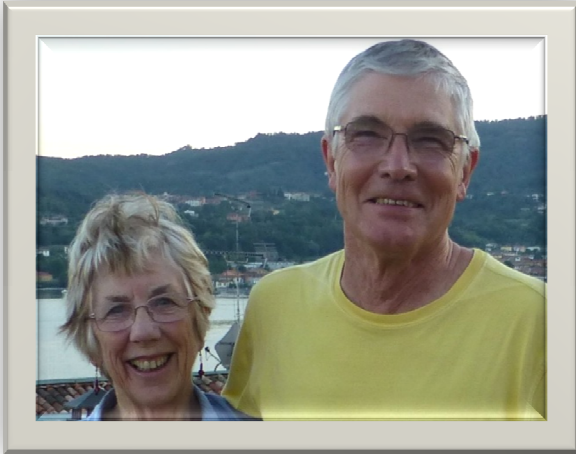


**2013 NATIONAL RESTRICTED  
Swiss Pairs - 2013**

Place	Name	Score
1	I Dalziell, T Berenger	221
2	W Mroz, L Kunc	208
3	R Hurst, R Erskine	196
4	J Serena, M Fisher	194
5	R Lazar, A Szollos	191
6	P Afflick, R Prickett	189
7	M Randles, B Sadler	186
8	B Bolt, M Pisko	184
9	A Cook, R Ho	184
10	G Nicholson, P Redlich	182
11	C Baynes, S Cullenward	180
12	J Tennyson, J Bandy	179
13	J Hirdle, H Mirck	179
14	S Carradine, M Young	179
15	R Cooper, E Pattison	179
16	J Johnson, J McCarthy	179
17	I Williams, S Williams	179
18	A Penklis, R Ward	179
19	D Stewart, D Delgado	179
20	J Rosetta, B Davidson	178
21	V Eldridge, A Davies	176
22	J Gruszka, S Grigg	175
23	D Potter, S Tian	174
24	D Cartwright, L Cartwright	174
25	R Steinhardt, B Kent	174
26	A Bones, S Shergold	173
27	K Barrie, T O'Loughlin	172
28	D Barnes, P Barnes	172
29	B Lockwood, A Bremner	172
30	M Owen, S Pang	171
31	M Partridge, J Rogers	171
32	P Nilsson, D Nilsson	170
33	B Chapman, P McDonald	170
34	M Mann, D Wood	169
35	J Willis, M Phippen	168
36	R Binsted, D Grout	167
37	V Wiley, G Schaller	166
38	F Martin, Unknown	165
39	C Fader, R Bodell	165
40	J Sunderland, J Sunderland	165
41	C Makin, S Barlow	164

Place	Name	Score
42	D Crossan-Peacock, L Scandrett	164
43	C Hasemore, M Geromboux	163
44	M Gilbert, K Gilbert	163
45	J Buchmann, K Buchmann	162
46	F Campbell, H Grant	162
47	F Bell, H Scott	162
48	M Baker, A Jackson	161
49	J Knight, A Knight	161
50	K Irvine, M Carr	160
51	J Heywood, S Gapper	159
52	M Kenny, E Neil	159
53	M Ripley, M Box	159
54	J Barbour, M Moylan	157
55	M Morgan, J Rossiter-Nuttall	157
56	C Cooper, M McInerney	155
57	W Bristow, T Dolphin	155
58	C Klugman, Unknown	154
59	A Baldwin, P Scales	153
60	I Bailey, A Ngan	153
61	S Labordus, M McDonald	152
62	V Roche, C Campbell	152
63	M Lavender, B Verdam	152
64	S Barber, G Tidey	151
65	M Robinson, P Street	150
66	O Mayne, S Walters	150
67	G Davies, N Heffernan	150
68	H Tarrant, J Petrauskas	148
69	J Buckley, M Johnson	147
70	C Dawson, A De Borah	147
71	G Hayes, P Talsma	145
72	C Chaffey, A Goodchild	145
73	B Sandilands, L Crawford	145
74	J Tredrea, P Housden	144
75	A Symons, S Quarles	138
76	P Evans, R Hinton	138
77	P Townsend, P Pearson	132
78	H Barnes, C Henke	127
79	J Gross, M Gross	120
80	P Nyberg, J Stigliano	117

# Morning Walks at the Summer Festival



You are invited to join **Patricia and Colin Beaton** on a morning walk along the shore of Lake Burley Griffin whilst at the Summer Festival of Bridge.

As well as a great way to start your day, this is also a chance to view some of the National Capital's iconic landmarks.

The walks are of approximately 1 hour's duration.

Those wishing to join a walk (*four different routes - see map below*) should assemble in the foyer of Rydges Lakeside Hotel at 6.15 am between 16 - 24 January. Each walk will start at 6.30 am sharp.

- Route One: North-East shore past Commonwealth Park towards Blundells Cottage
- Route Two: South-East shore past the National Library towards The National Gallery
- Route Three: South-West shore to Lennox Gardens and Nara Canberra Park
- Route Four: North-West shore to Acton Peninsula and the National Museum

