

The Summer Festival of Bridge

Daily Bulletin 2

Rydges Lakeside, Canberra

January 17th 2013



Senator the Honourable Kate Lundy, the Patron of the Summer Festival of Bridge, officially opens the Festival.



2013 Summer Festival Courtesy Bus Route

Approximate Pickup Time	Accommodation	Address
8.30am	Kingston Terrance Serviced Apartments	16 Eyre Street, Kingston
	Bentley Apartments	10 Canberra Ave, Forrest
8.45am	Hyatt	Commonwealth Avenue, Barton
	Rydges	Drop off
8.55am	Liversidge Court	Liversidge St
	University House	Cnr Liversidge St & Balmain Cres, ANU, Acton
9.10am	Novotel	65 Northbourne Ave
9.20am	Tall Trees Motel	Stephens Street, Ainslie
9.25am	Rex Hotel	150 Northbourne Ave
	Marque (also Capital Apartments)	108 Northbourne Ave
	Clifton Suites	100 Northbourne Ave
	James Court Apartments	74 Northbourne Ave
9.35am	Olim's Hotel	Cnr Limestone Ave & Ainslie Ave
	Argyle Apartments	144 Curong Street
9.45am	Crowne Plaza	1 Binara Street
	Waldorf Apartments	2 Akuna Street, CBD

The Courtesy Bus will leave the first accommodation site 90 minutes before play begins and will return after play. It is *approximately* 5 minutes between stops.

Tim Bourke's Problem

2. PROMOTION

Dealer South. Both Vul.

NORTH

♠ A Q 6 5 2

♥ K J 10 6

♦ K

♣ J 5 3

♠ 3

♥ A Q 9 7

♦ A J 8 4 2

♣ A K 4

West	North	East	South
			1♦
Pass	1♠	Pass	2♥
Pass	3♥ ¹	Pass	4♣
Pass	4NT	Pass	5♣ ²
Pass	5♦	Pass	6♣ ³
Pass	6♦	Pass	6♥
All pass			

¹ Forcing, stronger than four hearts

² 0-3 key cards

³ ♥Q plus ♣K

West leads the nine of spades, taken by dummy's ace and East follows with an encouraging signal. Assuming that neither defender has a singleton in a minor suit, what is the safest line to make twelve tricks?



Tim Bourke's Problem - SOLUTION

Suppose the full deal is:

♠ A Q 6 5 2	
♥ K J 10 6	
♦ K	
♣ J 5 3	
♠ 9	♠ K J 10 8 7 4
♥ ? 2	♥ ? 3 2
♦ Q 10 9 7 5	♦ 6 3
♣ Q 9 7 6 2	♣ 10 8
♠ 3	
♥ A Q 9 7	
♦ A J 8 4 2	
♣ A K 4	

? either the ♥8 or the ♥5

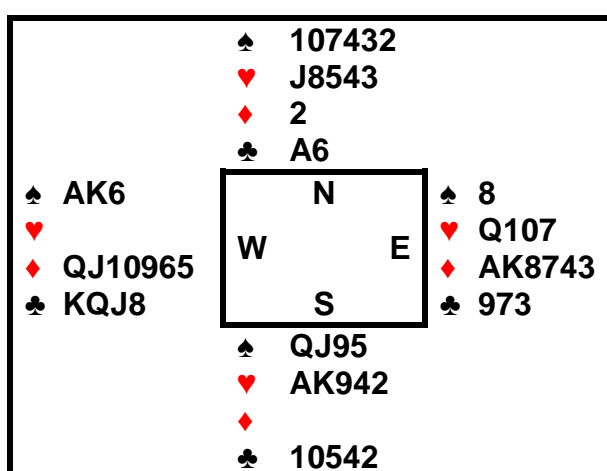
After a winning the first trick with the ace of spades, lead a club to your ace, followed by a diamond to the king and a second club from dummy. After the king of clubs holds, throw the jack of clubs on the ace of diamonds.

Now comes the fun part. ☺ You have five tricks already and you make sure of the next six tricks by conducting a high crossruff. At trick twelve you will ruff the minor-suit card left in your hand with dummy's six of hearts.. Either that will win the trick or East will overruff it with the eight of hearts. In the latter case, your ♥7 will be high and take the last trick. You will make a spade, seven trump tricks and four tricks in the minors.

Twice In A Row

The Abbrenboek team had every reason to feel aggrieved. For the second year in a row, they arrived for the start of the Seniors' Teams to find that they had drawn the top seeds.

At table 1, Carolyn Dowling and Bev Menzies from the Northern Beaches found themselves opposed by oft-times internationals David Lilley and Zolly Nagy. The ladies got off to a flier.



Zolly opened the North had as dealer with a 2♣ call. And David responded 2♦. This caught Bev's attention and she passed. Zolly clarified his had with a 2♥ call which David raised to game. Bev emerged from the bushes with a 5♦ interjection, which certainly caught Carolyn's attention. After Zolly passed, Carolyn did likewise and David called 5♥. This was gave Carolyn the chance to bid slam, which she took.

I'm not sure if anyone knew who was sacrificing against whom but there was nothing in the play. The heart lead was ruffed and declarer drew the outstanding trump, conceded the ♣A and claimed twelve tricks. Paul Lavings and Robert Krochmalik

Material for the Festival Bulletin can be left at the Festival Desk or emailed to me at
alan@tayl0rs.co.nz
 The 0 is a zero not a letter



reached the same slam but weren't doubled so the Abbenbroek team collected 5 imps.

A push on board 2 was followed by another expert double – or should I say, another expert, unsuccessful double.

	♠ Q5	
	♥ KQ52	
	♦ Q876	
	♣ J106	
♠ K8	N W E S	♠ 964
♥ A83		♥ 976
♦ AK1052		♦ 93
♣ 974		♣ A8532
	♠ AJ10732	
	♥ J104	
	♦ J4	
	♣ KQ	

After 3 passes, Carolyn opened the East had 1♠ and David showed 5-5 in hearts and a minor via a 2♣ call. He became declarer in 3♦.

Bev led a spade and Carolyn's 10 scored. She switched to the ♥A and a second heart. David took that to play a third heart. Bev ruffed with 6, forcing dummy's King. David cashed the ♣A and ruffed a club in hand. He continued with yet another heart. Bev ruffed with the 10 to take the trick but declarer now had complete control of the trump suit and quickly ran off the necessary tricks via six diamond tricks, the ♣A and the ♥K.

That may not look too great for Bev and Carolyn with DeepFinesse showing only 8 tricks for declarer. However, in the other room, the Abbenbroek combination also reached 3♦ and were doubled for their trouble. Again the defence lost its way and once again nine tricks were taken for +470 and 8 more imps. How do you beat 3♦? Bev was right to lead a spade but she should

have chosen the 9! Two more rounds follow and the defence must now prevail.

6 imps went back on the board 4 when Bev and Carolyn over-reached with

♠ A874	♠ Q5
♥ KJ7	♥ 8432
♦ K1075	♦ Q3
♣ A10	♣ KJ873

They play a 15-18 one no trump opener and although Bev showed a minimum Carolyn went to game regardless. Nothing good happened for declarer in the play and that cost 6 imps when Robert and Paul stopped in 2NT.



Zolly and Carolyn wait for Bev to call

Then Zolly and David bid a low point count 5♣ but found themselves losing imps for a not unfamiliar reason.

	♠ K8753	
	♥ Q6	
	♦	
	♣ KJ9854	
♠ J104	N	♠ Q962
♥ J1087	W	♥ AK954
♦ J10872	E	♦ AK3
♣ Q	S	♣ 6
	♠ A	
	♥ 32	
	♦ Q9654	
	♣ A10732	

Carolyn opened 1♥ and was probably rather surprised when the auction was at the five level when it came back to her. (2NT from David and 5♣ from Zolly). She chose to lead the ♦A and Zolly initiated a cross-ruffing orgy before emerging with all thirteen tricks. In the other room only eleven tricks were made but there had been another, expert and unsuccessful double so Abbenbroek picked up another 3imps. After six boards they led the top seeds by 16 to 6.

Perhaps it was too good to last. 3imps went away on 7 for an extra vulnerable undertrick before 11 more followed on

	♠ QJ965	
	♥ J6	
	♦ Q	
	♣ Q9863	
♠ 742	N	♠ A83
♥ A3	W	♥ 752
♦ A108	E	♦ KJ7642
♣ AJ752	S	♣ K
	♠ K10	
	♥ KQ10984	
	♦ 953	
	♣ 104	

The auction was

West	North	East	South
Bev	Zolly	Carolyn	David
1♣	1♠	2♦	2♥
3♦	P	3♥	P
3NT			

Zolly led the ♥J which David overtook as Bev ducked. David switched to the ♠K which Bev ducked again before taking the spade continuation with dummy's Ace. With not much to guide her, she chose to finesse the ♦10 on the first round of the suit and the roof fell in. Two down while an overtrick was made in the other room.

Then a break with tradition when Paul and Robert got a double right.

	♠ KQ3	
	♥ 2	
	♦ K86	
	♣ AKQJ73	
♠ J976	N	♠ 52
♥ A987	W	♥ KJ10653
♦ AQ	E	♦ J
♣ 862	S	♣ 10954
	♠ A1084	
	♥ Q4	
	♦ 10975432	
	♣	

Carolyn opened a multi as East and Bev offered 2♥. Zolly interposed 3♣ which ran round to Bev who tried again with 3♥. Zolly doubled and David gave it a lot of thought before emerging with 4♠.

The defence was quick and lethal. Bev led her heart Ace, Carolyn following with the Jack, and then switched to the other red Ace. A diamond ruff by Carolyn together with Bev's trump holding meant four defensive tricks.

Meanwhile, in the other room, North-South reached 5♣ and Paul and Robert found another double. This one was successful.



Bev waits for Zolly's next move

Another eleven went away on the next when Zolly and David's defence was more effective than their counterparts.

down was the outcome.

Meanwhile, in the other room, Robert declared from East and South led a heart. Robert tried the finesse and North, on lead now, switched to the ♠J! Although another finesse lost, Robert could now count four spade tricks, two in hearts and three in the minors. One more came out in the wash and that was 11 imps.

3NT was proving to be a graveyard for Bev and Carolyn and twice more they needed a hearse. Firstly on

	♠ A3		
	♥ K75		
	♦ AQJ10842		
	♣ J		
♠ K964		N	♠ Q87
♥ A98		W	♥ J106
♦ 75		E	♦ K6
♣ K943		S	♣ AQ1085
	♠ J1052		
	♥ Q432		
	♦ 93		
	♣ 762		

Zolly opened 1♦ and Carolyn overcalled 2♣. Bev asked about this with a cue bid but Zolly butted in again with 3♦. Carol decided that her diamond stop was good enough and shot 3NT. On a diamond lead from David, declarer had nowhere to go and drifted to two off. Meanwhile, Paul and Robert chose to defend 3♦ and took that down for a further 7 imps.

VISIT

RonKlingerBridge.com
IMPROVE YOUR GAME

for articles, teaching resources and books

	♠ J106		
	♥ Q3		
	♦ K963		
	♣ QJ102		
♠ 43		N	♠ AQ982
♥ AKJ94		W	♥ 2
♦ 102		E	♦ AJ84
♣ AK73		S	♣ 985
	♠ K75		
	♥ 108765		
	♦ Q75		
	♣ 64		

Bev and Carolyn had an uninterrupted auction to the nine trick game. Zolly led the ♣Q which Bev took to finesse dummy ♠Q – unsuccessfully. A club return from David was ducked to North's 10 Zolly switched to the ♥Q and Bev had a wee whoopsie when she continued with three more rounds of hearts. David took the third and then cashed his remaining heart before exiting with a spade to Zolly's 10 and dummy's Ace. Two



The final coffin nail was applied on

	♠ J9542	
	♥ A10	
	♦ 832	
	♣ K42	
♠ K106	N	♠ Q3
♥ K2	W E	♥ QJ84
♦ QJ75	S	♦ A106
♣ AQ103		♣ 9865
	♠ A87	
	♥ 97653	
	♦ K94	
	♣ J7	

Bev and Carolyn reached 3NT and Zolly led a small spade. David took the Ace and returned the suit to dummy's Queen. Bev tried a heart to the King which Zolly took to clear the spades. In the closed hand, Bev ran the ♦.Q and David's King scored. He exited a club which saw declarer take a forlorn finesse. In with the ♣K, Zolly took his spades and that was two off and another 6 imps when Paul and Robert stopped in 2NT and made eight tricks.

The ladies gave every impression of thoroughly enjoying their match at table one but I believe that they may petition the organisers for a different starting spot next year.

DID YOU KNOW CHRIS DIMENT?

Eric Ramshaw

It all started in 1989 when Chris went from Wollongong to Sydney to kibitz the Butler, held as part of the ANC. He offered to help Richard Grenside and became Richard's *de facto* assistant. From that time he became a regular helper. Although his job description was "floor manager" he became an excellent "jack-of-all-trades".

He approved the system cards, managed the boards and hand records, directed and scored as necessary. He directed at the Illawarra Bridge Association and ran a significant number of congresses in the region.

In a similar way Chris worked as a volunteer at World Bridge Championship; very quickly the WBF recognized his value and he fulfilled functions such as assisting with the hospitality desk, bulletin room, Vu Graph, and system desk. Soon the WBF paid his expenses and qualified him as a director and he attended every World Championship.

One of Chris' most endearing characteristics was that he demanded perfection in his own sphere but could cope with imperfection in others. Although he did not invent personal scorebooks he popularized their use in local congresses. Detail was king in any event that Chris ran - scorebooks were works of art, frequently in full colour with each category colour-coded to the hand record and the display on the scoreboard.

In his non-bridge life Chris was an avid collector of board games; he seldom attended a bridge event without checking out the local "games" shop and he always came back with two or three new purchases – in recent years the Tournament Unit relaxed in the evening by testing the new games.

Although Chris lost much of the use of his right arm in a motorcycle accident he was often more adept than I at a number of tasks. Those who knew Chris will recognize some of his wisdom – obvious once you hear them



"If you have a bad arm/leg put it in the shirt/coat/trousers before the good one"

"Can I have an ordinary knife – not serrated – for my steak"; with one hand it is impossible to saw the knife across the steak horizontally but I can cut the steak by sawing the steak up and down

"if you draw a diagonal line down a set of boards it is obvious whether they are all present in the correct order"

So Yes I did know Chris! For many years we worked together at major Australian Championships as part of the Tournament Unit. Events will not be the same without him.

URGENT – WE NEED YOUR INPUT!

"People Who Play Bridge" - A Documentary Project

Objective: to build interest and enthusiasm amongst the Australian bridge playing community and then to seek funding to make a documentary about the wonderful characters who play the game of Bridge. Bridge is fascinating, challenging, fun and healthy! We all know this. Here's our chance to tell the world!

"People Who Play Bridge" is an observational documentary film currently being developed by Peta Carney of Cool White Bunny Productions and Lisa Eismen of u n me films.

"People who play Bridge" **needs your help**. An enthusiastic, participating audience will help us get this project from development to production.



Would you watch "People Who Play Bridge"? Would your Bridge friends watch it? What about your non-Bridge friends? Would you like to help "People Who Play Bridge" get made? Have you ideas and stories? Are you a real character - or do you know one or two? Would you like to be in the film? Would you like your Bridge Club featured?

You can help by visiting the web page at <http://www.coolwhitebunnie.com/index.php/development/bridge>

From the web page you can

1. Join the mailing list for all the latest news on "People Who Play Bridge".
2. Send us an email if you have a comment or suggestion or would like to participate in the film.
3. Like the **Facebook** page for "People Who Play Bridge".
4. Place a comment on the Facebook page.

You can also visit the Facebook page here: <http://www.facebook.com/PeopleWhoPlayBridge>

Please get involved so that we can attract funding for the project.

Problem Corner

A variety of problems for you – see if you can better what happened at the table when the highly ranked Buchen and Van Riel teams met in the third round of the Seniors.

First up, a bidding problem. You, West, hold



♠ KQ7 ♥ J1053 ♦ A4 ♣ J1087

The auction commences

West	North	East	South
	1NT	P	2NT
	3♦	x	P
?			

And it's your turn. 1NT was weak and 2NT a transfer to diamonds.

At the table Theo Antoff found a 3♥ call and there the auction ended. This was sub-optimal on

	♠ 1042		
	♥ Q84		
	♦ KQJ9		
	♣ K53		
♠ KQ7		N	♠ AJ963
♥ J1053		W	♥ K972
♦ A4		E	♦ 8
♣ J1087		S	♣ A96
	♠ 85		
	♥ A6		
	♦ 1076532		
	♣ Q42		

As can be seen game is available in either major and that cost the Buchen team 6 imps.

Now a lead and switch problem.

You hold ♠ Q643 ♥ 76 ♦ QJ10 ♣ Q943

You are defending 3NT knowing that declarer had 4 hearts and dummy 3. Your lead?

Al Simpson led a high diamond and received a discouraging card from partner. To what do you switch when dummy shows



with:

♠ K7 ♥ 432 ♦ K9854 ♣ 1086

Al tried a spade and David Hoffman wrapped up 9 tricks in jig time on:

	♠ AJ9		
	♥ AK95		
	♦ A62		
	♣ K72		
♠ 10852		N	♠ Q643
♥ QJ108		W	♥ 76
♦ 73		E	♦ QJ10
♣ AJ5		S	♣ Q943
	♠ K7		
	♥ 432		
	♦ K9854		
	♣ 1086		

The defence's best suit (clubs) did not enter the discussion until trick 12. In the other room, a less helpful defence saw the same contract fail by a trick.

Next, a lead and continuation problem.

You, South, hold ♠ 4 ♥ AJ76 ♦ KJ7 ♣ Q10764 and take part in a wild and woolly auction:

West	North	East	South
			1♣
P	1♥	1♠	2♥
2♠	3♥	3♠	4♥
4♠	x		

Your lead is?

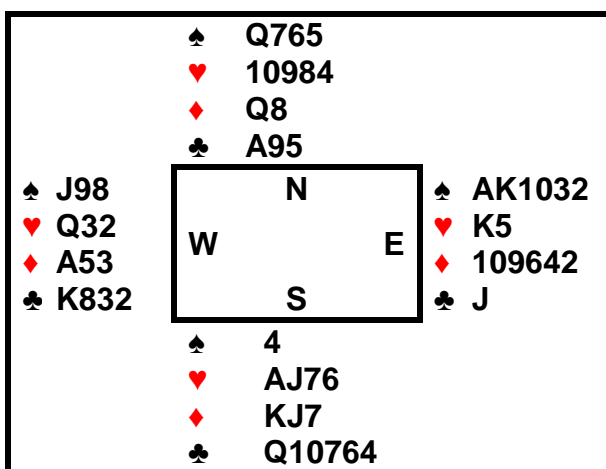
At the table Robbie Van Riel led the ♥A and dummy produced:

♠ J98 ♥ Q32 ♦ A53 ♣ K832

And your continuation is?



Robbie played a second heart. This was not best on:



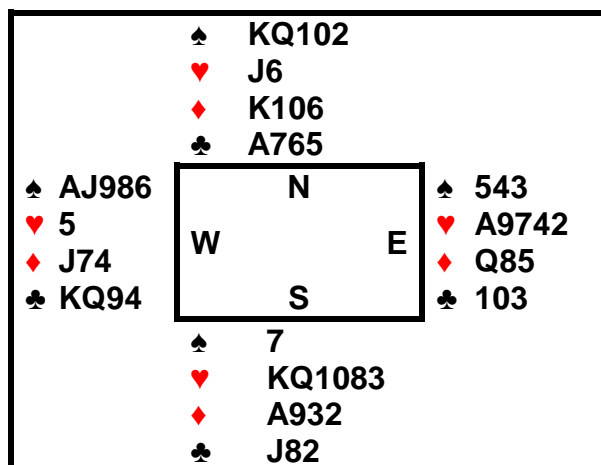
Al took his King, crossed to the Ace of diamonds and discarded his losing club on the ♥Q. He then ran the ♠9 when that scored, Al was able to wrap up ten tricks and twelveimps.

Then it was David's turn for a bidding problem. He held:

♠ KQ102 ♥ J6 ♦ K106 ♣ A765

As dealer, he opened 1NT (weak) and Robbie made a 2♦ transfer, Theo put in 2♣ and David and Al passed. Robbie re-opened with a double and it was up to David.

David gave it some thought but then passed. DeepFinesse has this as one off and so it eventuated. 50 was, however, small consolation for the 600 available on

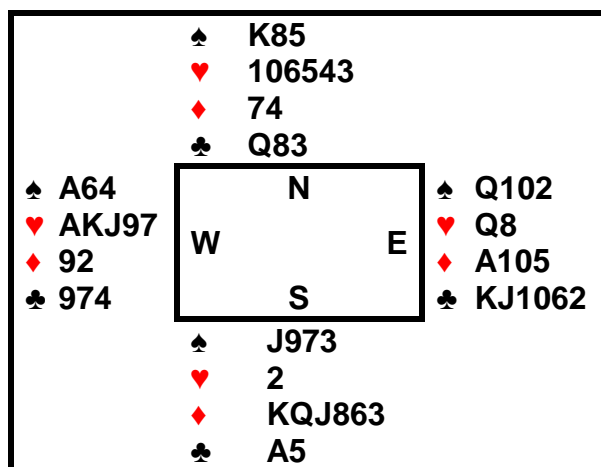


Then it was Theo's turn in the bidding box.

He held: ♠ A64 ♥ AKJ97 ♦ 92 ♣ 974

Robbie, on his right, opened 1♦ and Theo put in 1♥. David passed and Al offered 2NT – well, do you or don't you?

Theo did, an action he came to regret on

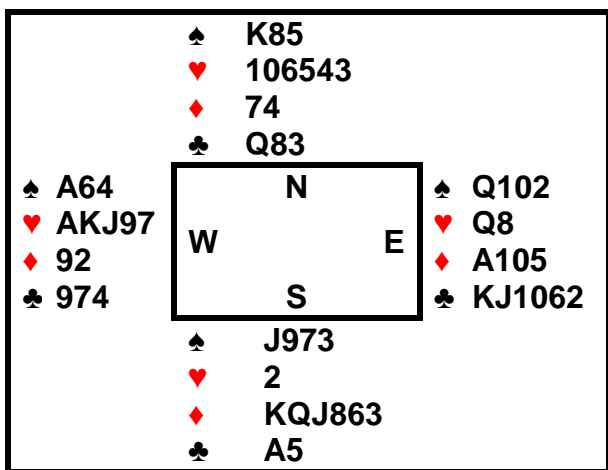


Robbie led the obvious diamond and sat waiting patiently for the Ace of clubs to see the contract two off.

Then the bidding baton was passed to Al. He held

♠ Q6 ♥ 986 ♦ 987 ♣ KJ1093

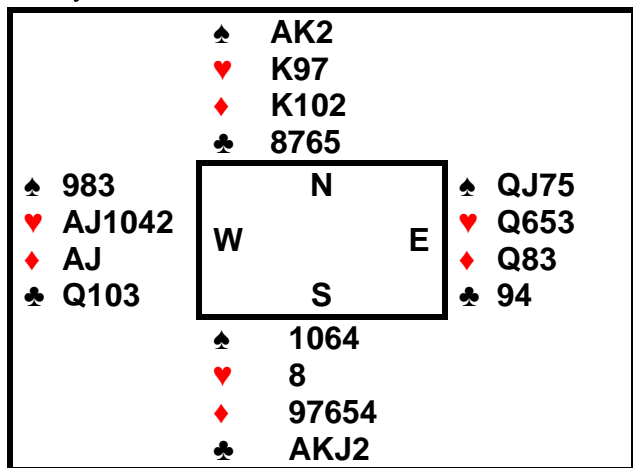
Theo opened 1♠ and Al responded with 1NT –forcing for one round. Theo jumped to 3♠ and Al was put to the question. Now you or I might think that a forcing noise on Al’s hand was enough of an overstatement for now and might start praying that 9 tricks were available. Al, however, was still there and raised to game but the tricks just weren’t there on



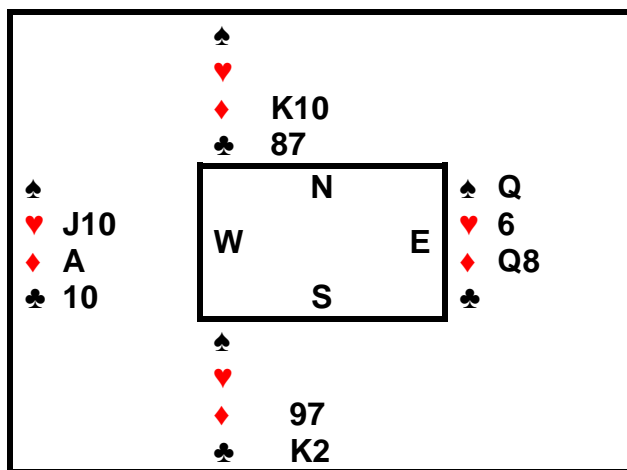
Then David got a bidding problem right but the endgame got away from Robbie.

David held ♠ AK2 ♥ K97 ♦ K102 ♣ 8765

After two passes Theo opened 1♥ and David passed. Al raised to 2♥ and this went round to David. He re-opened with a double and Robbie bought the contract in 3♦ on this layout:



Theo led a spade taken by table’s Ace. Robbie played a club to the Ace in the closed hand and switched to a heart. Theo took his Ace and played a second spade. Robbie took that with the King and discarded his losing spade on the ♥K. He ruffed a heart and played a diamond through Theo’s AJ and towards dummy’s K10. Theo put in the Jack and Robbie took the trick with the King. He took an unsuccessful finesse of the ♣J and ruffed Theo’s spade continuation. The position now was, with the defence having taken two tricks;



A trump from South sees the defence only take two more tricks. Robbie, no doubt swayed by Theo’s ♦J, tried the club King. Al ruffed that and the defence were able to score their three trumps individually for one off.

There were moments of interest in the other room, particularly perhaps when the director was called at trick 8 by North who was somewhat embarrassed to admit that had played eight cards and still had six left. East rather plaintively commented that she only had four left.



CANBERRA Summer Festival OF BRIDGE 2013

Additional activities on offer for attendees

Date	Departure	Destination	Comments
From 16 – 27 January Except for: 20/1 and 25/1	10.00 am Noon 2.00 pm 4.00 pm	SFOB shuttle bus will do a circuit from Rydges Lakeside Hotel to : <ul style="list-style-type: none"> • Australian War Memorial • The National Gallery of Australia • Old Parliament House • New Parliament House 	<ul style="list-style-type: none"> • Pick-ups and drop-offs at each stop (depending on capacity) • National Gallery of Australia – Toulouse-Lautrec : Paris and the Moulin Rouge (<i>over 120 works</i>)
15 January	6.30 pm	<i>Welcome to Competitive Play</i> function – for novice players	At Rydges – by invitation only
Daily from 17-24 January	6.30 am	Guided walk around part of Lake Burley-Griffin	Meet at Rydges foyer at 6.15 am
20 January *	9.30 am	SFOB shuttle bus to convey passengers to Bungendore. This historic village is a pleasant 30 minute drive. You can visit: <ul style="list-style-type: none"> • Antique stores • Galleries and craft shops • The world famous woodworks gallery • Cafes and restaurants 	Bus will depart from Rydges Lakeside Hotel at 10.00 am and will return from Bungendore at approximately 2.30 pm. <u>Cost:</u> \$30 per person
25 January *	10.00 am	SFOB shuttle bus to convey passengers to Gold Creek Village . This heritage village provides art galleries/ gift shops/specialty stores and leatherworks. Relax at your choice of restaurants, cafes or the lively George Harcourt Inn.	Bus will depart from Rydges Lakeside Hotel at 10.00 am and will return from Gold Creek Village at 3.00 pm. <u>Cost:</u> \$15 per person
26 January	Lunch break	<ul style="list-style-type: none"> • Australia day - BBQ lunch at Rydges Lakeside Hotel • Green and gold dress theme for the day 	Prize for the best dressed person
During event		Celebrity Speakers - details still being confirmed	

* **Bookings** required for the trips to Bungendore and Gold Creek Village – register at the Information desk. Payment not required beforehand.

2013 NATIONAL SENIORS TEAMS

Place	Name	Score
1	Zollo	70
2	Buchen	67
3	Creet	67
4	Sebesfi	62
5	De Livera	60
6	Klofa	57
7	Fotheringham	57
8	Johnson	56
9	Bailey	56
10	Smee	56
11	Watts	55
12	Brown	54
13	Wallis	51
14	Finikiotis	51
15	Klinger	50
16	Bloom	50
17	Callander	45
18	Yao	47
19	Yang	47
20	Johnman	46
21	Van Riel	46
22	Mangos	46
23	Howes	45
24	Talbot	44
25	Douglas	43
26	Dudley	43
27	Knaggs	43
28	Urbach	42
29	House Team	41
30	Eddie	41
31	Limaye	43
32	Kovacs	40
33	Lander	39
34	Russ	38
35	Thorp	38
36	Strong	38
37	Lewin	32
38	Day	31
39	Roxburgh	30
40	Dixon	30
41	Abbenbroek	29
42	Anlezark	28
43	Coats	26
44	Cariola	26
45	Jeffery	23
46	Mottram	20

2013 NATIONAL WOMENS TEAMS

Place	Name	Score
1	Chadwick	61
2	Kalmin	59
3	Humphries	59
4	Bourke	58
5	Evans	55
6	Travis	54
7	Scudder	54
8	Gibbons	53
9	Mott	53
10	Pearson	52
11	Rowland	46
12	Hoffman	45
13	Neale	44
14	Samuel	42
15	Pettigrew	42
16	Zeller	41
17	Bedford-Bro	39
18	Lyons	37
19	Farthing	36
20	Lowe	36
21	Sterling	31
22	Ohlsen	31
23	Jesner	28
24	Sanderson	16

2013 LIFE MASTER TEAMS

Place	Name	Score
1	Dalziell	63
2	Marker	62
3	Leach	60
4	Bodycote	59
5	Stoneman	57
6	Murray	55
7	Munro	54
8	Wiley	53
9	Houghton	51
10	Dobes	51
11	Mordo	50
12	Bugeia	50
13	Sturgul	49
14	Assaee	47
15	Foreman	47
16	Sullivan	47
17	French	46
18	Rowlatt	45
19	O'Connor	44
20	Gilbert	44
21	Donaldson	43
22	McDonald	41
23	White	39
24	Kassam	37
25	Tredrea	37
26	Cook	33
27	Waight	33
28	Apfelbaum	32
29	Turner	27
30	Plummer	26
31	Moffat	24
32	Lockwood	21

2013 NON LIFE TEAMS

Place	Name	Score
1	Tough	60
2	Ranke	59
3	Donovan	59
4	Tuckey	54
5	Dunlop	49
6	Lance	48
7	Pike	46
8	Barbour	44
9	Partridge	43
10	Land	42
11	Bristow	41
12	Beer	40
13	Higgins	37
14	House Tea	37
15	Tomlinson	33
16	Tomlinson	28

2013 NOVICE TEAMS

Place	Name	Score
1	Gilbert	62
2	Sklarz	57
3	Stoney	54
4	McDonald	53
5	Dawson	50
6	Holliday	49
7	Olsson	45
8	Locke	44
9	Hassett	43
10	Whitty	41
11	Saville	41
12	Mulcahy	34
13	Hankin	29
14	Mayne	25

2013 SUPER NOVICE PAIRS

Place	Players	Score
1	C Fitzpatrick, R Dey	318
2	G Davis, C Morrisroe	239
3	A Knight, R Knight	238
4	M Mathews, S Mathews	232
5	D Collister, R Henwood	232
6	L Carberry, B Warrington	231
7	J Sawyer, J Sawyer	224
8	D McKenzie, M Woodhams	209
9	G Beyrouthi, S Young	186
10	A Rice, P Leahy	181
11	B Love, R Love	178
12	J Cowling, F Franklin	172

Morning Walks at the Summer Festival



You are invited to join **Patricia and Colin Beaton** on a morning walk along the shore of Lake Burley Griffin whilst at the Summer Festival of Bridge.

As well as a great way to start your day, this is also a chance to view some of the National Capital's iconic landmarks.

The walks are of approximately 1 hour's duration.

Those wishing to join a walk (*four different routes - see map below*) should assemble in the foyer of Rydges Lakeside Hotel at 6.15 am between 16 - 24 January. Each walk will start at 6.30 am sharp.

- Route One: North-East shore past Commonwealth Park towards Blundells Cottage
- Route Two: South-East shore past the National Library towards The National Gallery
- Route Three: South-West shore to Lennox Gardens and Nara Canberra Park
- Route Four: North-West shore to Acton Peninsula and the National Museum

