

# The Summer Festival of Bridge

## Daily Bulletin 1

Rydges Lakeside, Canberra

# 40<sup>th</sup>



Good morning and welcome to the 40<sup>th</sup> Summer Festival of Bridge.

I'm sure that you are going to enjoy the next 14 days here in the national capital. Added to our extensive programme of bridge is a series of celebrity lectures. These will be held at lunchtime on six days during the festival at a cost of \$15 which includes your lunch. The timetable for these lectures is printed in this bulletin and displayed throughout the venue.

I am personally saddened as missing will be Chris Diment who passed away after a battle with cancer. He was a great director and a very good friend. Chris will not be forgotten at the Summer Festival as a new event will be named in his honor in 2013. Like everything that Chris did, I will endeavour to make this new event perfect in every way.

Rydges Lakeside Hotel will make this a memorable experience with the facilities that they have made available to bridge players. These include additional catering facilities, water stations throughout the venue, improved lighting and the upgrade of Cahoots Bar. A special catering station has been set up at lunchtime outside Cahoots Bar.

Being Canberra, there are many great sightseeing opportunities and special exhibitions to see including a "must see" exhibition "**Renaissance**" at the National Gallery and a manuscripts exhibition at the National Library. "Renaissance" is an exhibition of paintings of 15<sup>th</sup> and 16<sup>th</sup> Italian masters and the manuscripts exhibition includes original works by Mozart and Einstein. Information on these and many other will be available from hotel reception and the Festival Secretary's desk.

Happy Bridging

Sean Mullanphy

Convener & CTD 2012 Summer Festival of Bridge



### Tim Bourke's Problem

#### 1. AWARENESS

Dealer South. Both Vul.

**NORTH**

♠ J 10 5  
♥ J 7  
♦ K Q 9 4  
♣ 9 6 5 2

**SOUTH**

♠ A K Q  
♥ K Q  
♦ A J 7 3  
♣ A Q J 10

<b>West</b>	<b>North</b>	<b>East</b>	<b>South</b>
			2♣
Pass	2♦	Pass	3NT
Pass	6NT	All pass	

West leads the ten of hearts against what turns out to be a fairly shaky slam. East wins the ace of hearts and returns the three to your king. What is your plan to make your contract?

#### Not Worth A Mention?

It's a fairly un-noteworthy matter when parent and off-spring happen to play together – but in the SENIORS?

The Seniors' Last Train saw Len (father) and Jo Dixon (daughter) in harness!

Len, I am led to believe, passed 90 late in 2011 while Jo is protected by my mother's *diktat* that "You NEVER ask a lady her age!"

## Summer Festival Of Bridge

Approximate Pickup Time	Accommodation	Address
8.30am	Pinnacle Apartments Bentley Apartments Rydges Capital Hill Hyatt <b>Rydges Dropoff</b>	11 Ovens Street, Kingston 10 Canberra Ave, Forrest Cnr Canberra Ave & National Circuit, Manuka Commonwealth Avenue, Barton
8.45am	Liversidge Court University House Ursula College <b>Rydges Dropoff</b>	Liversidge St Cnr Liversidge St & Balmain Cres, ANU, Acton Daley Road, ANU, Acton
9.00am	Waldorf Apartments Canberra City YHA Crowne Plaza Monterey Apartments Argyle Apartments Olim's Hotel Tall Trees Motel Woolcock St, Watson* Canberra Motor Inn Rex Hotel Marque (also Capital Apartments) Clifton Suites <b>Rydges Dropoff</b>	2 Akuna Street, CBD 7 Akuna Street, CBD 1 Binara Street 14 Boolee St, Reid Cnr Currong & Boolee Sts, Reid Cnr Limestone Ave & Ainslie Ave Stephens Street, Ainslie <b>*Pickup at Cnr Highway &amp; Flemington Road</b> 20 Kunzea Street O'Connor 150 Northbourne Ave 108 Northbourne Ave 100 Northbourne Ave
9.50am	<b>Rydges Dropoff</b>	

**The courtesy Bus will leave the first accommodation site 90 minutes before play begins and will return after play. It is *approximately* 5 minutes between stops.**

### Tim Bourke's Problem - Solution

Obviously, you need East to have the king of clubs to have any chance of making your contract. If he has that card and clubs are 3-2 then almost any plan will succeed. When he has four clubs headed by the king you will need West to have at least two diamonds. Suppose the full deal is:

♠ J 10 5	
♥ J 7	
♦ K Q 9 4	
♣ 9 6 5 2	
♠ 8 4 3	♠ 9 7 6 2
♥ 10 9 8 4 2	♥ A 6 5 3
♦ 10 8 6 5	♦ 2
♣ 7	♣ K 8 4 3
	♠ A K Q
	♥ K Q
	♦ A J 7 3
	♣ A Q J 10

After winning the king of hearts, cash the ace of diamonds and continue with the jack of diamonds. When West follows to the second diamond overtake the jack with the queen and take a club finesse. When that wins, finesse the nine of diamonds and take a second club finesse. All that then remains is for you to return to dummy with the king of diamonds and take a third club finesse. You will make three spades, a heart and four tricks in each minor for a total of 12 in all.

If diamonds had been 3-2 and East had four clubs, the nine of diamonds would be the entry for the third club finesse. Finally, if East had four diamonds you would need him to have the king of clubs singleton, doubleton or tripleton.

### Seniors' Last Train

The crucial match of round six appeared to be that between the number one seeds, Kathy Boardman and Richard Brightling, and the leaders at the start of the match,

John Brockwell and Ricjard Wallis. It was a tight enough match to be worthy of the occasion – only 2.2 imps traded per board with 6 pushes and no swing above 6 imps.

Kathy and Richard B were first off the mark on the second board even though Richard showed some plastic hand evaluation.

♠ Q95	♠ KJ3		
♥ A76	♥ Q108		
♦ AKJ75	♦ 642		
♣ J4	♣ AK73		
	N		
	W	E	
	S		
	♠ A2	♠ 108764	
	♥ KJ32	♥ 954	
	♦ Q3	♦ 1098	
	♣ Q8652	♣ 109	

Kathy passed as dealer and John opened 1NT (weak) Richard B hit that and Richard W redoubled – attempting to say, “We got him pard.”. Kathy thought that RW was probably right and tried 2♣. John doubled (I think for takeout) and Richard W leapt to 3NT. Two passes followed before Richard B decided that, while he was good enough to double 1NT for penalties, he wasn't good enough to double 3NT – in fact he was.

He led the ♦K, asking Kathy to give count, successfully dropped the doubleton Queen and claimed his six red winners for 2 off.

This represented a 6 imp gain but a double would have been even more lucrative.

At none of the tables in the Seniors did anyone double 3NT by North-South – just as well for Finioktis/Lane's opponents who let it through While van Vucht and Farthing were lucky enough to see East – West bid 3♣ and

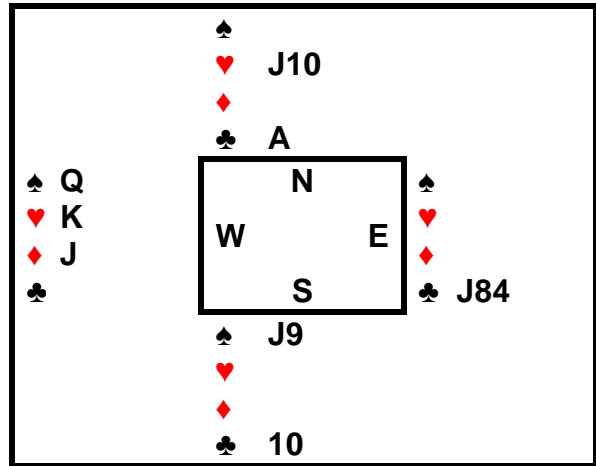
the double of that unlovely contract yielded 800 and 13 imps.



Richard Brightling and Kathy Boardman in play in a later round.

The next saw Kathy's very good defensive trumps end as being less useful than she might have imagined.

took this on table and ruffed a spade in the closed hand. A diamond to dummy was followed by another spade ruff and then the two remaining high diamonds were cashed. North cashed dummy's ♥ A and played dummy's last heart. West took this perforce to bring about this ending



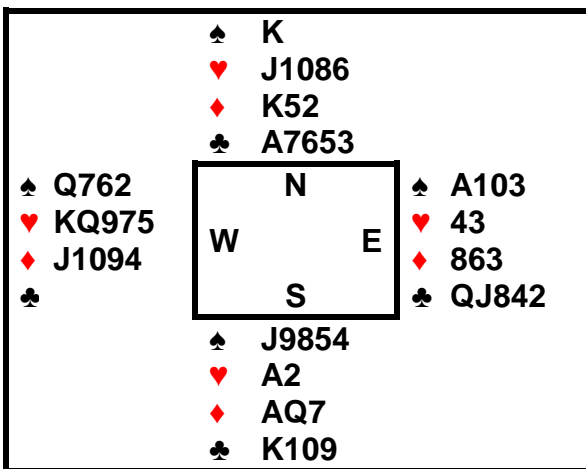
West exited with a spade. Declarer ruffed with the Ace and could not be prevented from scoring the ♣ 10 *en passant*. A diamond exit from West leaves the same position but a heart would have enabled Kathy to ruff with the Jack and then score the thirteenth trump. Making ten tricks was worth 3 imps to North-South.

Now a lead problem for you. North opens 2NT (20-22) and, when South makes a 3♥ transfer, he jumps straight to the spade game. South gives this some thought but eventually passes.

You to lead from

♠ 32 ♥ 10 3 ♦ J9732 ♣ 10875

Looks like a real guess to me. Kathy tried an aggressive small diamond and that was thirteen tricks on



John opened 1♠ and Richard W responded 2♣. John raised to three and there they rested.

Kathy led a trump, dummy's 9 scoring, while West's small heart gave declarer the bad news.

He played a spade to his King and Kathy's Ace for her to return the ♣ Q. Richard W

	♠ AK4	
	♥ J652	
	♦ A10	
	♣ AKQJ	
♠ 1098	N	♠ 32
♥ AKQ9	W                  E	♥ 103
♦ 86	S	♦ J9732
♣ 9632		♣ 19875
	♠ QJ765	
	♥ 874	
	♦ KQ54	
	♣ 4	

A heart lead holds this to ten tricks but any other leaves the defence empty-handed and costs 2 imps.

In the Seniors, twice West was on lead and, unsurprisingly, found a heart but the big winners were Scerri/Scerri who defended 6♠ by NORTH and beat it by two.

Three fairly uninteresting boards followed before a minor chapter of lost opportunities on

	♠ Q7	
	♥ AJ	
	♦ AK3	
	♣ AQ8653	
♠ K652	N	♠ AJ8
♥ KQ93	W                  E	♥ 8654
♦ Q987	S	♦ J
♣ 7		♣ KJ1042
	♠ 10943	
	♥ 1072	
	♦ 106542	
	♣ 9	

After two passes, Richard W opened 1♣ and this ran round to his nemsake who re-opened with a double. North raised himself to 3♣ and Kathy went for that. Richard B, however, had it as still takeout and tried 3♥. Kathy gave this some thought but eventually raised to game As DeepFinesse has East-

West making 1♣, 3♣ x figures to be a fairly expensive adventure for John and Richard.

The ♦ K was led but the cunning ♠ 7 which followed saw Richard B successfully finesse dummy's Jack. He ran the trump 4 upto North's Jack and the ♠ Q followed. Richard B took this on table and played a heart to the Queen and Ace for the third defensive trick in this position

	♠	
	♥	
	♦ A3	
	♣ AQ8653	
♠ K6	N	♠ 8
♥ K3	W                  E	♥ 86
♦ Q98	S	♦
♣ 7		♣ KJ1042
	♠ 109	
	♥ 10	
	♦ 10654	
	♣ 10	

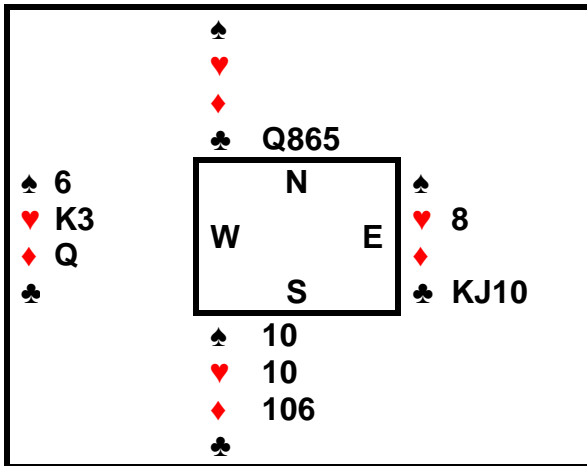
If North cashes his ♣ A then, twist and turn as he might, declarer is going two down. However, Richard W tried to shorten dummy's trumps with the ♦ A. Richard B quickly took advantage.

He played a spade to the King in the closed hand and now gave North the ♣ A. A diamond was exited to the 9 in the closed hand and the ♠ 6 was ruffed on table. The position had become:

- Items for the Bulletin can be submitted by
- 1) Dropping hard copy in the Bulletin box on the Congress desk
  - 2) Emailing to me at [alan@tayl0rs.co.nz](mailto:alan@tayl0rs.co.nz)  
the 0 is a zero not a letter



Richard Wallis (left) and John Brockwell in play in the Seniors' Last Train.



Declarer was able to ruff his spade and then had John's trump surrounded for only one off but still the biggest pick-up for Brockwell-Wallis with 6 imps.

Try a bidding decision. You hold, at nil vul, :

♠ 632 ♥ A87 ♦ 10642 ♣ AK4

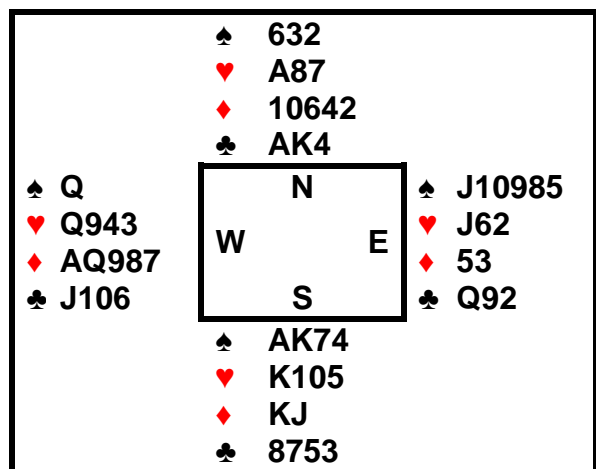
Your partner opens a 12-14 no trump after one pass. Third hand also passes. Do you

- a) Give up
- b) Invite game
- c) Force to game.

It's a horribly square hand with no source of tricks but you do have those hard eleven points.

Richard W faced this question and chose option c.

When West led a diamond, it was apparent to John that option a was superior



John won with the Jack and immediately played back the ♦ K, presumably hoping somehow to get the 10 going. Richard B took his Ace but didn't oblige with the Queen. Instead, he attacked dummy's entries with a club. If both black suits broke 3-3, then John would have nine tricks, so he ran a small spade round to West's Queen. Richard continued clubs and John ducked this to Kathy's Queen. Nothing good happened for declarer thereafter and one off was the outcome. As most stopped in 1NT, that brought three imps to Kathy and Richard. With two boards to play, the score was 15 all. Board 31 changed nothing and the match went down to the last.

VISIT

**RonKlingerBridge.com**  
IMPROVE YOUR GAME

for articles, teaching resources and books

	♠ AKJ963	
	♥ 108	
	♦ 863	
	♣ AJ	
♠ 107	N	♠ Q542
♥ QJ543	W                      E	♥ AK76
♦ AQ5	S	♦ 7
♣ K75		♣ Q983
	♠ 8	
	♥ 92	
	♦ KJ10942	
	♣ 10642	

The Queen of trumps meant that the contract was four light for 800 East-West. Most East-West combinations were allowed to collect their 620 in 4♥ so that represented a 5 imp pickup and the match for the eventual winners of the Seniors' Last Train. A repeat for Kathy who won last year with Bobby Richman.

Richard B opened 1♥ and Richard W overcalled 1♠. Kathy splintered with 4♦ which John doubled. West signed off in 4♥ but North (emboldened by the double?) went to 4♠. This went round to Richard B who closed proceedings with a double.

The outcome was bloody.

The ♥ A and K stood up with West signalling for a diamond. Kathy obliged and the defence had the first five tricks when Kathy ruffed the third diamond. She switched to a club and Richard's King drove out the Ace to establish Kathy's Queen.

**Session Times**

**Wednesday & Thursday**

**10am 1.30pm 4.30 pm**



PAUL LAVINGS BRIDGE BOOKS

VISIT OUR STALL – TOP OF STAIRS

New and second hand books, many specials

Software at 10% discount

GIFTWARE

pens
jewellery
T-shirts
tea towels
serviettes

✓ Club Supplies
✓ Expert Advice

Visit us online at [www.postfree.cc](http://www.postfree.cc) or email [postfree@bigpond.net.au](mailto:postfree@bigpond.net.au)



## EDUCATION PROGRAM – CELEBRITY SPEAKERS



### FOOD FOR THOUGHT SERIES – *What a feast!*

At this, the 40<sup>th</sup> anniversary of the Summer Festival of Bridge, the ABF is delighted to provide an educational program of 6 Celebrity Speaker sessions. Topics will cover bidding, play and defence.

This is an opportunity to see top teachers and players from Australia and overseas and to pick up valuable bridge tips. Notes will be provided at each session and will be available on the ABF web site following the festival.

A light lunch will be provided at each session and a charge will apply.

**\$15 per head (includes lunch and session)**

**Thursday 19 January**

**Joan Butts**

**DECLARER PLAY TECHNIQUES**



**Joan Butts**

**ABF National Teaching Coordinator**

Joan has represented Queensland and Australia. She has a Bachelor of Arts degree and Diplomas in Education and Educational Psychology and is an expert bridge teacher. Joan has a passion for bridge education, both for students and for teachers, and has developed a new approach for beginners. Joan has been the official teacher for the Queensland Bridge Association for 8 years and in January 2011 was appointed the ABF National Teaching Coordinator.

**VENUE: 15<sup>th</sup> floor Rydges**

**TIME: pm**

**Other speakers in the series are**

**Friday 20<sup>th</sup> - Ron Klinger**

**Monday 23<sup>rd</sup> – Sartaj Hans**

**Tuesday 24<sup>th</sup> – Joe Grue & Justin Lall**

**Wednesday 25<sup>th</sup> – Hugh Grosvenor**

**Thursday 26<sup>th</sup> – Ishmael del Monte**





# SeneGence<sup>®</sup> International

Women making long-lasting beauty possible



*LipSense is the first long lasting lip colour to stay on women's lips without the drying, flaky effect!*

- 💋 Lasts 4 – 18 Hours
- 💋 No Lead or Wax
- 💋 No Ingestion
- 💋 Sun & Wind Protection
- 💋 Smear Proof
- 💋 No Animal Testing
- 💋 No Animal products or bi-products
- 💋 SeneGence offers a complete range of long lasting cosmetics and anti-aging skin care.



LipSense is a revolutionary long lasting lip colour, formulated with a blend of botanical ingredients and help from science, to give you a wax free lip colour that won't kiss off, smear off, rub off or transfer onto anything. Your lips are moist and plump with LipSense moisturising Shea Butter Gloss to seal the colour. Create your own colour palette by combining solid, vibrant, shimmery or frosted shades.

There are not enough words to express my profound and utter delight when I found out about your beautiful range of SeneGence<sup>®</sup> Cosmetics. My job as a Celebrant means that I spend a lot of time outdoors and often in very hot conditions, and your range of cosmetics are just excellent for these conditions.

I really love the way you demonstrate all your products and your expertise on how to get maximum performance from them. I have recommended you and your products to my colleagues and friends as I know they would enjoy and get maximum benefits out of all your products just as I have done.

Thanks again Rhonda.

Debbie Scott Brisbane QLD [www.dusktodawncelebrant.com](http://www.dusktodawncelebrant.com)

To experience all the exclusive SeneGence products please contact:



**Rhonda Renkert**  
SeneGence Independent  
Distributor # 156 113  
m: 0411 826 356  
[rhonda@lippygalore.com](mailto:rhonda@lippygalore.com)  
[www.LippyGalore.com](http://www.LippyGalore.com)

## SENIORS LAST TRAIN - 2012

Place	Team	Name	Score	Imps
1	<a href="#">1</a>	R Brightling, K Boardman	143	96
2	<a href="#">5</a>	R Wallis, J Brockwell	141	91
3	<a href="#">9</a>	P Kahler, H Ali	136	72
4	<a href="#">7</a>	B Howe, B Waters	135	73
5	<a href="#">2</a>	G Gaspar, B Richman	134	58
6	<a href="#">22</a>	E Gallie, K Upson	133	49
7	<a href="#">14</a>	A Squirrell, R Mann	128	37
8	<a href="#">6</a>	I Afflick, G Bilski	128	33
9	<a href="#">3</a>	M Watts, G Smolanko	127	23
10	<a href="#">11</a>	G Finikiotis, G Lane	127	28
11	<a href="#">15</a>	T Mangos, J Carberry	125	19
12	<a href="#">4</a>	H Horwitz, A De Livera	118	14
13	<a href="#">12</a>	C Klassen, M Draper	116	-13
14	<a href="#">16</a>	N Van Vucht, A Farthing	114	-23
15	<a href="#">8</a>	G Czubala, W Malaczynski	113	-26
16	<a href="#">13</a>	D McLeish, P McLeish	112	-30
17	<a href="#">10</a>	J Pettitt, F Power	108	-47
18	<a href="#">18</a>	D Grahame, J Grahame	105	-63
19	<a href="#">21</a>	M Wigbout, J Waldvogel	105	-63
20	<a href="#">17</a>	E Williams, T Davis	101	-80
21	<a href="#">20</a>	S Scerri, A Scerri	91	-129
22	<a href="#">19</a>	P Barnes, J Gibson	91	-119

## WOMENS LAST TRAIN - 2012

Place	Team	Name	Score	Imps
1	<a href="#">1</a>	B Travis, C Berman	154	141
2	<a href="#">2</a>	M Bourke, G Tucker	149	125
3	<a href="#">5</a>	M Chadwick, T Sharp	135	67
4	<a href="#">3</a>	S Jacob, C Richardson	134	58
5	<a href="#">4</a>	H Lowry, B Folkard	131	50
6	<a href="#">7</a>	M Jakes, B Stacey	126	24
7	<a href="#">15</a>	A Dawson, E Zeller	125	17
8	<a href="#">12</a>	J Leung, L Ma	123	14
9	<a href="#">14</a>	L Turner, T Henderson	121	-1
10	<a href="#">6</a>	R Lachman, C Miller	115	-12
11	<a href="#">9</a>	V Brockwell, V Holbrook	114	-27
12	<a href="#">13</a>	J Swanson, K Homik	113	-27
13	<a href="#">8</a>	A Mellings, A Young	104	-63
14	<a href="#">10</a>	B Mill, L Hambour	101	-67
15	<a href="#">11</a>	V Carmody, V Hopwood	97	-89
16	<a href="#">16</a>	L Hindley, C Marsden	71	-210

THE QUEENSLAND BRIDGE ASSOCIATION,  
IN CONJUNCTION WITH THE  
AUSTRALIAN BRIDGE FEDERATION  
PRESENTS THE...

GOLD COAST CONVENTION CENTRE  
GOLD COAST HIGHWAY  
BROADBEACH

# GOLD COAST CONGRESS

# 2012

SATURDAY FEBRUARY 25<sup>TH</sup> TO SATURDAY MARCH 3<sup>RD</sup> 2012

DON'T  
MISS THIS  
INTERNATIONAL  
BRIDGE  
EVENT



**GOLD COAST**  
congress

WANT TO KNOW MORE?  
[www.qldbridge.com/gcc](http://www.qldbridge.com/gcc)

For further enquiries or to register, contact: KIM ELLAWAY

Call: +61 7 3351 8602 or +61 4 1206 4903

Fax: +61 7 3103 4799

Email: [manager@qldbridge.com](mailto:manager@qldbridge.com)