



# N.O.T. News 5

Canberra Saturday January 17<sup>th</sup> 2009

## Session Times Sunday & Monday

Sunday Teams Finals – start 10 am

Sunday - Swiss Pairs

11.00am    2.00pm    7.30pm

Monday – S.W.P.T

11.00am    3.00pm    8.00pm

## Teams Finalists

### Women's

J Hoffman, J Thompson, S Bird, K Creet, R Kaplan, P Schroor

∨

D Jagelman, K McCallum, T Lloyd, J Cormack, L Fuller, A Clark

### Seniors'

D Hoffman, R Klinger, B Richman, G Gaspar

∨

J Newman, P Buchen, P Chan, H Christie, C Hughes, D Lusk

CANBERRA  
*Summer Festival*  
OF BRIDGE



## Tim Bourke's Problem

### 5. NO DRAMA

Dealer West. Neither Vul.

#### NORTH

♠ A K 2  
♥ A Q  
♦ A Q 7 5 4  
♣ 8 6 3

#### SOUTH

♠ Q J 10 9 5 3  
♥ 5  
♦ 8 6 2  
♣ 7 4 2

West	North	East	South
1♥	Double	3♥	3♠
4♥	Double	Pass	4♠
All pass			

Even though partner's second double promised extra values in a balanced hand, probably without primary spade support, you decided to press onto game because you had no defensive values, West leads the king of clubs, winning the first trick, and continues with the jack of clubs. East overtakes this win the ace and returns the ten of clubs to West's queen who then exits with a trump. How will you continue?

If you wish to email material for NOTNews, the address is

[alan@tayl0rs.co.nz](mailto:alan@tayl0rs.co.nz)

The 0 is a zero not a letter

## Summer Festival Bus Route

- Kingston Terrance Apartments – 16 Eyre Street, Kingston (cnr Leichardt Street)
- Pinnacle Apartments – 11 Ovens Street Kingston
- Kingston Apartments – 4 Tench Street Kingston
- Hyatt Hotel - Commonwealth Ave - [Pickup is at back of Hotel](#)
- NCC
- Olims Hotel – Cnr Ainslie & Limestone Ave
- Capital Executive Apartments . [Pickup at Marque Hotel](#)
- Quality Suites Clifton on Northbourne – - [Pickup at Marque Hotel](#)
- Medina Apartments
- NCC
- Liversidge Court, ANU
- University House - Pickup on Liversidge Street
- Rydges Lakeside Hotel
- Capitol Tower Apartments ( pickup at Rydges Lakeside)
- NCC

## The Bus Route Times

Kingston	60 minutes before the 1 <sup>st</sup> session of the day
Hyatt Hotel	50 minutes before the 1 <sup>st</sup> session of the day
Olims Hotel	40 minutes before the 1 <sup>st</sup> session of the day
Marque Hotel	35 minutes before the 1 <sup>st</sup> session of the day
Medina Apartments	35 minutes before the 1 <sup>st</sup> session of the day
Liversidge Court	20 minutes before the 1 <sup>st</sup> session of the day
Rydges Lakeside Hotel	15 minutes before the 1 <sup>st</sup> session of the day

**Times are approximate – please be at one of the pickup points at least 5 minutes before the scheduled departure from that stop**

## Tim Bourke's Problem – Solution

West is sure to hold both the red-suit kings but as you have only one convenient entry to the South hand, you are unable to take finesses in both suits. So, you will need some plan other than simply finessing in the red suits.

Indeed, you should win the trump switch with dummy's ace, cash the king of trumps and then make the apparently strange move of cashing the ace of hearts, hoping that the full deal is something like this one:

♠ A K 2	
♥ A Q	
♦ A Q 7 5 4	
♣ 8 6 3	
♠ 7	♠ 8 6 4
♥ K J 10 9 3 2	♥ 8 7 6 4
♦ K J 9	♦ 10 3
♣ K Q J	♣ A 10 9 5
♠ Q J 10 9 5 3	
♥ 5	
♦ 8 6 2	
♣ 7 4 2	

When you play four more rounds of trumps from the South hand, reducing your hand to three cards, West has to keep the king of hearts and therefore has no option but to reduce to a doubleton king of diamonds. You throw the queen of hearts from dummy, finesse the queen of diamonds, cash the ace, and dummy's last diamond will be high.



If you fail to cash the ace of hearts before running your trumps, you would have to guess which four cards West had decided to keep in the ending. He might fool you by keeping ♥K-2 of hearts and ♦K-J of diamonds. If you thought that the heart king was bare, you would retain ♥A-Q, ♦A-Q in dummy and finesse in diamonds. So the reason for cashing the ace of hearts should now be clear – it was to avoid any dramas in the endgame.



### Congratulations to:

**Margaret Breden, Barbara Wood, Jeni Locke, Monica Nilsson, Carol Gilder and Jackie Ness**

### Winners of the 0-99 Teams

**Second in the 0-99 Teams were (from left) Peter Nilsson, Deborah Nilsson, Cate Carr and Andrew Lance**

## A Happy Team

Jan Cormack

Di Jagelman made her team-mates very happy when she brought home 4♥ on this deal:

1	♠ A732	<i>Dir: N</i>	
	♥ AK	<i>Vul: None</i>	
	♦ Q10984		
	♣ Q2		
♠ K65	♠ J10984		
♥ J864	♥		
♦ J2	♦ AK6		
♣ KJ104	♣ 98765		
15	♠ Q	♣♦♥♠NT	
9 8	♥ Q1097532	N - 2 3 - -	
8	♦ 753	S - 2 3 - -	
	♣ A3	E 4 - - 4 -	
		W 4 - - 4 2	

Kate McCallum opened 1NT and East overcalled 2♠ to show spades and a minor. Di reacted with 4♥.

East led a low spade and Di decided to let it run to her singleton Queen. The ♠A now provided a pitch for her losing club. Di's reasoning was that if the spade finesse lost, the opponents still had to find their diamond ruff if the hearts were breaking. If the Queen scored then she could afford three diamond losers as long as the hearts behaved



**Runners-up in the Non-Life Masters Teams were**

**Dave Munro, Valerie isle, Pam Smith and Keith Wignall**

## A WOMAN'S VIEW OF THE WORLD

### Women's Last Train and National Women's Teams

By Barbara Travis

Well, our 'world' is bridge for the current fortnight..

Here are a few of my favourite hands from my first two events in this fortnight of bridge.

	♠ A J 6 5										
	♥ J										
	♦ K 9 6										
	♣ J 10 9 6 4										
♠ Q 3	<table style="width: 100%; text-align: center;"> <tr><td></td><td>N</td><td></td></tr> <tr><td>W</td><td></td><td>E</td></tr> <tr><td></td><td>S</td><td></td></tr> </table>		N		W		E		S		♠ 8
	N										
W		E									
	S										
♥ A 9 8 6 4		♥ Q 10 7 5 3 2									
♦ A 8 2		♦ 10									
♣ A K Q		♣ 8 7 5 3 2									
	♠ K 10 9 7 4 2										
	♥ K										
	♦ Q J 7 5 4 3										
	♣										
<i>WLT 2/25 Dealer N EW Vul</i>											

North and East passed and South opened a gentle 1♠ bid. I'd have to admit I might open a higher number of spades at this vulnerability but I'm still trying to decide how many... so 1♠ certainly has merit. Sitting West, I doubled. North made the normal 4♠ raise and partner passed. When 4♠ came around to me I doubled, ready to lead the ♣A. As you can see, then 4♠X would make 11 tricks. Sara Tishler, my partner, sensibly removed this double to 5♥.

South decided my double was penalties and Sara was saving, so passed. I can't really see the logic in this since you have zero defensive tricks (apart from a club ruff if partner can read it) and the vulnerability is in your favour. On the spade lead and continuation Sara made 12 tricks for +680.

Clearly most Souths 'saved' over 5♥ and got doubled for their efforts. When West did not find the lead of the ♦A and ruff, 5♠X made. Our 'womanly' datum was +660 to NS, so we gained 16 IMPs for this result.

I did hear of a Seniors' result where 6♥ made, gaining 17 IMPs instead!

This next hand will stay with me for many years. How often do you get to defend 1♠X holding a trump suit of AKQ10542?

	♠ 8 5 4 2		
	♥ 8		
	♦ 4		
	♣ A K Q 10 5 4 2		
♠ Q 10		N	♠ K J 7
♥ 9 7 6 5 3		W	♥ K 4
♦ 10 8 7 3		E	♦ A K 6 5
♣ 7 3		S	♣ J 9 8 6
	♠ A 9 6 3		
	♥ A Q J 10 2		
	♦ Q J 9 2		
	♣		
WLT 4/18 Dealer E NS Vul			

Playing Acol, Sara opened 1♣ (East), South doubled and North gleefully passed. Sara also passed, though I'd be inclined to bid 1♦ on such a club suit. She managed 4 tricks for -500 which should have been a good result with 4♠ or 3NT making (there is a spade entry to the clubs). However our datum was on +260 (NS) so we lost 6 IMPs.

My last offering from the Women's Last Train is from Match 8 (the final round).

Match 8, Board 20,  
Dir W, All Vul

	♠ A 10 3 2		
	♥ K 4 2		
	♦ J 9 5 2		
	♣ 9 5		
♠ K J		N	♠ 8 4
♥ 7		W	♥ A J 9 5
♦ A K 6		E	♦ Q 10 7 4
♣ A K Q 10 6 4 2		S	♣ J 8 3
	♠ Q 9 7 6 5		
	♥ Q 10 8 6 3		
	♦ 8 3		
	♣ 7		
WLT 8/20 Dealer W All vul			

Our auction was:

WEST	EAST
2C	2D (waiting)
3C	3H
3NT	6NT

Sara clearly had extreme faith in my declarer play or had fairly rosy glasses on. If I had about 9 tricks with long clubs I'm not sure her

hand is worth 3 tricks but the result is what counted!

The SA was led which made 12 tricks straightforward. It also deprived me of the opportunity to destroy North with the run of the clubs. She can't hold the ♠Ax and the 4 diamonds in the 5 card end position. I would have preferred North to hold the ♠AQ because then the ending is clearcut ☺

The first match of the National Women's Teams led to an interesting situation.

Sitting South, I held

♠ AJ10765 ♥ A93 ♦ J ♣ J73.

I opened 1♠ out of turn. The Director explained to East that if she passed and I bid 1♠ there was no penalty. However, if she bid anything else and I bid spades at any level, my partner MUST pass on the first round. East very kindly passed; kind in the sense that Sara held

♠- ♥ KQ10 ♦ AQ98 ♣ AKQ986.

I'd like to report that we now had a scientific auction to 7♣ but we weren't that successful! However, imagine if East just bids ANYTHING – whether it's 1♣ or some weak 2 bid... I now have to make a 'final' decision for our auction. At the vulnerability this is particularly scary because I'd just have to punt out 4♠.

The 'moral' of the story is: if the opponent opens out of turn (not a pass but a bid) you should open 1♣ regardless. This will truly destroy any constructive bidding on their part.

Peter Marley (Director) then shared his best 'opening bid out of turn' story with me:

You pick up

♠ KQJ1098765432 ♥- ♦- ♣ A,

in your early days playing bridge. You are dealer and thinking how best to bid the hand, when your partner opens 5♦ out of turn! You are now barred from the auction ☹

	♠ J 8 5 3 2		
	♥ J 4		
	♦ 8 2		
	♣ A 7 4 2		
♠ A K 10 4	N	♠ Q 9 7 6	
♥ A Q 8	W	♥ K 10 9 6 2	
♦ K J 5 4	E	♦ 9	
♣ 9 5	S	♣ K Q 6	
	♠		
	♥ 7 5 3		
	♦ A Q 10 7 6 3		
	♣ J 10 8 3		
NWT 3/10 Dealer E All vul			

Here is our auction:

West	North	East	South
		P	P
1NT	P	2♦	x
2♥	P	3♠	P
4♥	End		

Sara asked what 3S meant and was told it showed a 4 card suit. I was sitting with the spade void thinking that my partner held 7 spades and was about to read my void.

She duly led the S3 and I thought, "She's even given me a suit preference lead." I ruffed, cashed the DA and led back the suit preference club. How perfect was she? She won the CA and gave me another spade ruff.

If was only then that I realized she did NOT hold 7 spades after all, since declarer clearly still held high spades! Anyhow, for me it was the lead of the tournament!

I thought I found a good lead on the following hand, though nowhere as inspired as Sara's.

	♠ J 8 4		
	♥ 8 5		
	♦ 10		
	♣ A K J 10 8 4 3		
♠ Q 7 5 3 2	N	♠ A	
♥ 9 2	W	♥ A K Q J 10 7 6 4	
♦ 9 5 2	E	♦ K J 3	
♣ 7 5 2	S	♣ Q	
	♠ K 10 9 6		
	♥ 3		
	♦ A Q 8 7 6 4		
	♣ 9 6		
NWT 7/14 Dealer E Nil vul			

East opened a game forcing 2♣, I overcalled 2♦ and when this was passed around to East she bid 4♥. I plucked the doubleton ♣9. Sara won the ♣K, watched and believed the ♣Q, and switched the ♦10 for the ruff. On any other lead, trumps can be drawn and dummy's ♦9 becomes the key card of the hand because of North's short ♦10.

## The Five Level

It's a well known adage that "the five level belongs to the opponents". The first round of the Seniors' play-offs provided a number of opportunities to test this dictum.

At the table where I watched Zoli Nagy (North) faced David Lilley while Ron Klinger (West) partnered David Hoffman.

See how you go on the first five level decision:

You (W) hold

♠ A Q 9 8 7 ♥ 7 ♦ 10 2 ♣ K Q 10 6 4

The auction commences

West	North	East	South
	P	1♦	1♥
1♠	P	2♦	2♥
3♣	3♥	4♣	P

And it's up to you. Which minor suit game do you try?

Ron opted for 5♦ which was wrong on this layout:

13	♠ 6543	Dir: N
	♥ K98	Vul: Both
	♦ 84	
	♣ 9852	
♠ AQ987	♠	
♥ 7	♥ QJ5	
♦ 102	♦ KQJ963	
♣ KQ1064	♣ AJ73	
	♠ KJ102	
3	♥ A106432	
11 14	♦ A75	
12	♣	
		♣♦♥♠NT
		N - - 2 1 -
		S - - 2 1 -
		E 5 3 - - 2
		W 5 3 - - 2

In 5♣, the defence can't get more than one heart trick to go with the ♦A but in 5♦, there

aren't enough trumps in dummy – particularly when David Lilley led a trump.

Take Ron's chair again on this one.

♠ 3 ♥ A Q J 4 3 2 ♦ K 8 ♣ A 7 6 3

The auction:

West	North	East	South
		P	P
1♥	2♦	3♥	P
4♥	4♠	P	5♦

You are not vulnerable against non-vul opponents. Do you sacrifice or defend?

Ron bid 5♥ which David doubled. The whole deal was:

2	♠ AJ82	<i>Dir: E</i>																										
	♥ AQJ10763	<i>Vul: N-S</i>																										
♠ 3	♦ 85	♠ 109764																										
♥ AQJ432		♥ K965																										
♦ K8		♦ 52																										
♣ A763		♣ Q4																										
12	♠ KQ5	<table border="1" style="font-size: 0.8em;"> <tr><td>♣</td><td>♦</td><td>♥</td><td>♠</td><td>NT</td></tr> <tr><td>N</td><td>3</td><td>6</td><td>-</td><td>4</td></tr> <tr><td>S</td><td>3</td><td>6</td><td>-</td><td>4</td></tr> <tr><td>E</td><td>-</td><td>-</td><td>3</td><td>-</td></tr> <tr><td>W</td><td>-</td><td>-</td><td>3</td><td>-</td></tr> </table>		♣	♦	♥	♠	NT	N	3	6	-	4	S	3	6	-	4	E	-	-	3	-	W	-	-	3	-
♣	♦			♥	♠	NT																						
N	3			6	-	4																						
S	3			6	-	4																						
E	-	-	3	-																								
W	-	-	3	-																								
14	♥ 1087																											
5	♦ 94																											
9	♣ KJ1092																											

As can be seen, North/South can, in fact, make the diamond slam with the help of two minor suit finesses and they will certainly make a vulnerable game. Although 5♥x can go two off, Zoli led the ♦A and now Ron was able to keep the damage to -100.

Then it was David Lilley's turn at the five level.

He held a very attractive:

♠ 2 ♥ 8 7 4 3 ♦ 10 7 6 5 4 ♣ 9 6 3

Which he passed as dealer. Ron opened 1♥ and Zoli overcalled 2NT for the minors. 3♠ from David Newman and it was David L's decision. He shot straight off to 5♦

This will only cost 300 against the 650 available to East/West in a major suit game but David Hoffman got his five level decision right

as well when he offered 5♥. Ron "corrected" to 5♠ - not that the correction mattered on

3	♠ K109	<i>Dir: S</i>																										
	♥ AKJ82	<i>Vul: E-W</i>																										
♠ QJ7	♦ QJ852	♠ A86543																										
♥ Q10962		♥ AKJ5																										
♦ 93		♦ Q																										
♣ AK10		♣ 74																										
14	♠ 2	<table border="1" style="font-size: 0.8em;"> <tr><td>♣</td><td>♦</td><td>♥</td><td>♠</td><td>NT</td></tr> <tr><td>N</td><td>1</td><td>3</td><td>-</td><td>-</td></tr> <tr><td>S</td><td>1</td><td>3</td><td>-</td><td>-</td></tr> <tr><td>E</td><td>-</td><td>-</td><td>5</td><td>5</td></tr> <tr><td>W</td><td>-</td><td>-</td><td>5</td><td>5</td></tr> </table>		♣	♦	♥	♠	NT	N	1	3	-	-	S	1	3	-	-	E	-	-	5	5	W	-	-	5	5
♣	♦			♥	♠	NT																						
N	1			3	-	-																						
S	1			3	-	-																						
E	-	-	5	5																								
W	-	-	5	5																								
12	♥ 8743																											
0	♦ 107654																											
	♣ 963																											

The very next board offered David L. Another shot at the five level but this time he refused to go there.

4	♠ AJ985	<i>Dir: W</i>																										
	♥ Q	<i>Vul: Both</i>																										
♠ KQ1032	♦ J765	♠ 74																										
♥ 10984	♣ J102	♥ J52																										
♦ 842		♦ Q10																										
♣ 4		♣ KQ9763																										
9	♠ 6	<table border="1" style="font-size: 0.8em;"> <tr><td>♣</td><td>♦</td><td>♥</td><td>♠</td><td>NT</td></tr> <tr><td>N</td><td>3</td><td>6</td><td>5</td><td>4</td></tr> <tr><td>S</td><td>3</td><td>6</td><td>5</td><td>4</td></tr> <tr><td>E</td><td>-</td><td>-</td><td>-</td><td>-</td></tr> <tr><td>W</td><td>-</td><td>-</td><td>-</td><td>-</td></tr> </table>		♣	♦	♥	♠	NT	N	3	6	5	4	S	3	6	5	4	E	-	-	-	-	W	-	-	-	-
♣	♦			♥	♠	NT																						
N	3			6	5	4																						
S	3			6	5	4																						
E	-	-	-	-																								
W	-	-	-	-																								
5	♥ AK763																											
8	♦ AK93																											
18	♣ A85																											

After three passes, David opened 1♥ which drew a 1♠ response from Zoli. David's 2♦ rebid was raised to 3 by Zoli and David had to decide. 5♦?

Not this time, he bid the nine trick game and, with the diamond position being so favourable, wrapped up eleven tricks in jig time.

A couple of quiet, lower level boards followed, before the most dramatic hand of the match hit the table. This time the level was two steps higher.

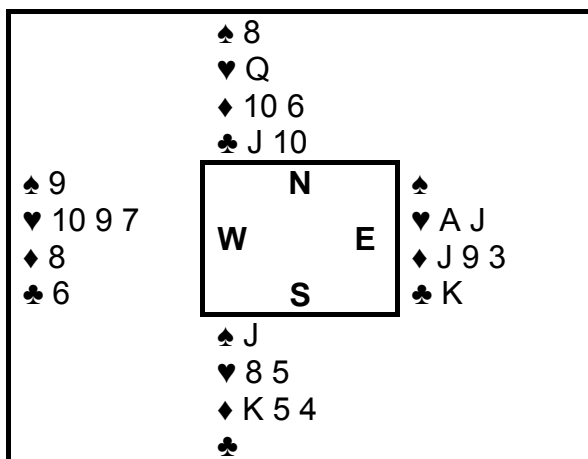
Have it as a declarer play problem.





Good news because it worked, bad because it showed up the 4-1 break. Zoli led the ♣7 to his 8 and Terry's Queen.

It looked pretty obvious to Terry that Zoli was going to be ruffing clubs on table and hearts in hand so he switched to the ♠Q, destroying the spade trick which was his by force. Zoli continued a club to his Ace and then played a heart. Terry went straight in with the King to bring about



Terry again played a trump which left Zoli on table in a very unsavoury position. He exited the ♥5 to Paul's Jack. Paul cashed his heart and club winners but, when he exited a small diamond, Zoli ran it to his 10 for only one off. Had Paul discarded the ♥J and kept the 2, then in the diagram position, after taking the Ace of hearts and cashing the ♣K then he would be able to cross to Terry's ♥10 and then the ♥9 would score also.



**Antigo** ☎62488080  
131 London Cct , Canberra 2601  
*Modern Australian*

Antigo's has earned itself a very credible reputation during its 15 years of operation. The relaxed atmosphere and subtle ambience coupled with personal attentive service makes every dining experience at Antigo's a pleasurable one. A very special feature that sets Antigo's apart from most other venues is that it offers all day dining, with a complete menu. All desserts are made fresh on the premises.





In July 2009, come to Canberra for the  
**AUSTRALIAN NATIONAL CHAMPIONSHIPS**  
Events for all skill levels.

**2 WEEKS OF FUN STARTING 3 JULY**  
At the **HELLENIC CLUB**

For more information go to [www.anc2009.com](http://www.anc2009.com)  
Or email convenor, Lyn Turner on [anc@abf.com.au](mailto:anc@abf.com.au)

### ANC 2009 Canberra 3-18 July at Hellenic Club

Those in the know, know that the States and Territories pick the competing Teams and nominate people to play in the Butler Stage 2 Open and Womens and the Matchpointed Pairs. Anyone can enter Butler Stage 1, Butler Seniors A and the Matchpointed Pairs. Why not enter and compete with the best. Earn your place in Butler Stages 2 and 3 and Butler Seniors B. Seniors are those over 55 on 1 January 1951. A new possible reward for 2009 is that the top three finishers in the ANC Butler will be rewarded through a subsidy to play in the NZ Nationals in 2009 provided at least 2 of the 3 pairs wish to play.

**New Zealand Nationals**  
**2009**  
**September 26<sup>th</sup> to October 3<sup>rd</sup>**  
**Kingsgate Hotel**  
**Hamilton**  
**\$315 (NZ) = \$A250 (approx)**  
**Three days of NZ Pairs**  
**+**  
**Five days of NZ Teams**  
**Visit**  
[www.nzbridgecongress.co.nz](http://www.nzbridgecongress.co.nz)  
**for details**

## Trump Promotion

Ron Klinger was most impressed by John Newman and Henry Christie's defence on this hand from the third round of the Seniors' stage II.

<b>1</b>	♠ A108	Dir: N
	♥ 10863	Vul: None
	♦ A764	
	♣ 84	
♠ KQJ32	♠ 974	
♥ A2	♥ KQ5	
♦ 1098	♦ KQJ	
♣ KQ3	♣ 9762	
8	♠ 65	♣♦♥♠NT
15 11	♥ J974	N - - - -
6	♦ 532	S - - - -
	♣ AJ105	E 3 2 - 3 3
		W 3 2 - 3 3

John passed as dealer and David Hoffman opened 1♣. Ron used relay to discover David's 3334 shape and then opted for 4♠ rather than 3NT due to worries about the heart position.

John led the ♣8. Ron played dummy's 2 and Henry the 5 which encouraged clubs. Ron took his King and played three rounds of hearts to dispose of the ♣3. Now he switched to trumps, playing the ♠4 to the King from the closed hand and John's Ace. Duly encouraged by Henry's ♣5, John played his second club to Henry's Ace. Even though Ron had shed his third club, Henry's third was a killer – if Ron ruffed low, he would be over-ruffed and if he ruffed high then John's 10 would be promoted.

In the event, Ron took the high road for one off.

Ron was more selfishly pleased by an auction on the last board of the set.

<b>14</b>	♠ 9	Dir: E
	♥ J1052	Vul: None
	♦ J10972	
	♣ 1097	
♠ Q874	♠ A62	
♥ KQ763	♥ A8	
♦ K85	♦ A3	
♣ 8	♣ AKQJ54	
2	♠ KJ1053	♣♦♥♠NT
10 22	♥ 94	N - - - -
6	♦ Q64	S - - - -
	♣ 632	E 7 - 6 5 6
		W 7 - 6 5 6

Ron opened the West hand 2♣ and David bid 3♥ which showed at least five hearts and at least two of the top 3 honours. Ron temporised with 3♥ which showed that the suit was not totally distasteful to him. David bid his second suit and they then exchanged minor suit cue-bids - 4♣ from Ron and 4♦ from David. That was enough for Ron and the next card out of the box was 7♣.

The play presented few terrors.

## The Tale Of Two Leads

We are all reluctant to concede a ruff/sluff without good cause. I suspect that many of us get a little tetchy when partner concedes a ruff/sluff. How then would we feel if the ruff/sluff was conceded at trick one?

The auction was

West	North	East	South
		1♠	2♥
x	4♥	5♣	5♥
6♣	x	End	

South led the ♥A and North said a rude word.

The layout

<b>18</b>	♠ K5	NS Vul
	♥ QT9843	Dir E
	♦ KQ72	
	♣ A	
♠ Q3	♠ AJT987	
♥	♥	
♦ J543	♦ A86	
♣ KQ86432	♣ JT95	
	♠ 642	♣♦♥♠NT
	♥ AKJ7652	N - - 5 - 2
	♦ T9	S - - 4 - -
	♣ 7	E 5 2 - 4 -
		W 5 2 - 4 -

Several hours later, Jimmy Wallis was heard explaining, yet again, to Siggy Konig just why he should have led the killing diamond.

Bobby Richman tried a little invention with his lead. Not only was the immediate effect unsatisfactory in the extreme, but there was a flow on effect a few tricks later.

17	♠ Q95	Dir: N
	♥ 743	Vul: None
	♣ AQ97654	
	♦ K106432	♠ AJ8
♥ Q	♥ AJ9652	
♦ A9543	♦ Q72	
♣ 8	♣ K	
	♠ 7	
8	♥ K108	
9 15	♦ KJ1086	
8	♣ J1032	
		♣♦♥♠NT
		N 4 - - -
		S 4 - - -
		E - 2 2 5 -
		W - 2 3 5 -

Bobby opened 2♣ as North and East made the obvious 2♥ overcall. George Gaspar raised the ante with a 4♣ response and West tried his luck with 4♠. Bobby pushed with 5♣ and East took the push. The final contract was 5♠ and Bobby was on lead.

DeepFinesse, as can be seen, says that 5♠ is a make but I suspect that in the real world communication problems will see it fail far more often than not. Bobby decided he really didn't want to lead at all but the Law says he has to. In desperation, he tried a small club! The sight of dummy did little for his equanimity. Declarer took his ♣K with polite surprise and cashed the Ace of spades. A second trump removed the inner glow when George discarded a club. He switched to the ♥Q and ran it to George's King.

George assessed the information.

Bobby had opened – he had at most two points in clubs as declarer obviously had the Ace, no points in hearts and probably two points in spades.

The bulb lit up above George's head – Bobby had to have diamond values!

Accordingly, George switched confidently to a low diamond. When this was ducked by declarer towards dummy's Queen, 5♠ no longer held any terrors.

Interestingly, Bobby points out that if George can find the duck of the ♥Q, declarer can no longer make eleven tricks. His only hope of getting to dummy is via diamonds and, no matter which way he plays them, the defence will take three tricks.

## And Yet Another Lead

This one is just a little unusual around the heart suit.

After South, the dealer, passes

West opens because of his six card heart suit.

North makes a natural overcall in hearts.

Eventually, South wins the first trick when he leads his singleton ♥8.

19	♠ J9	EW Vul
	♥ AKQ6	Dir S
	♦ KJ8	
	♣ T976	
♠ Q6	♠ AK754	
♥ JT9752	♥ 43	
♦ Q64	♦ A3	
♣ J3	♣ AKQ4	
	♠ T832	
	♥ 8	
	♦ T9752	
	♣ 852	
		♣♦♥♠NT
		N - - - -
		S - - - -
		E 3 - 3 3 3
		W 3 - 4 3 3

South passed, West opened a multi 2♦, North overcalled 2♥ and the auction meandered off to 4♠.

Seeking a ruff, South led his ♥8 and was somewhat surprised when he had to lead to trick two.



### Kingsleys Steak and Crabhouse

Bunda St, City 2600 ☎ 1300546475

*Fine Dining, Function Venues, Modern Australian, Seafood, Steak House*

Kingsley's Steakhouses are renowned for quality dining, and the newest addition in Canberra's CBD does not disappoint. Positioned along Bunda Street, where the Nations Capital comes alive in a hub of metropolitan entertainment and dining venues. Canberrans can enjoy a unique dining experience, with a modern and relaxed ambience and an environmentally friendly array of beef and seafood dishes that made Kingsley's a national household name.

# 2009 Summer Festival Title Holders

## **NATIONAL LIFE MASTERS TEAMS CHAMPIONSHIP**

1<sup>st</sup>: Bruce Fraser, Alan Hamilton, Pim Birss,  
June Glenn

## **NATIONAL NON-LIFE MASTERS TEAMS CHAMPIONSHIP**

1<sup>st</sup>: Mike Fox, Yolanda Carter, John Kelly, Pat  
Bugler

## **NATIONAL NOVICE TEAMS CHAMPIONSHIP**

0-149: Dan Phelan, Alan Farrington, George  
Skarbek, Ken Tenner

0-99: Margaret Breden, Barbara Wood, Jeni  
Locke, Monica Nilsson, Carol  
Gilder, Jackie Ness

0-49: John Donovan, John Jeffrey, Beatrice  
Dickson, Alex Hewit

## **NATIONAL SENIORS TEAMS CHAMPIONSHIP**

VETERAN: Conway Seymour, David Lander,  
Helena Lander, Bjin Eriksson

WOMEN: Jane Russ, Janice Harris, Kyoko  
Luiker, Patricia Matheson

MIXED: Elly Urbach, Steven Boch, Neville  
Moses, Neil Perry

COUNTRY: Noel Crockett, Shirley Crockett,  
Carolyn Molloy, Janet Clarke

## **NATIONAL WOMENS TEAMS CHAMPIONSHIP**

:

SWISS: Julia Hoffman, Jenny Thompson,  
Sheila Bird, Rena Kaplan, Paula Schroor  
Karen Creet

Veterans: Monica Darley, Del Ryan  
Bessie Baldry, Josie Crowley

Country: Not awarded

Seniors: Helen Lowry, Berenice Folkard, Inez  
Glanger, Marcia Scudder

## **THE WOMENS LAST TRAIN PAIRS**

1<sup>st</sup>: Margaret Bourke, Kathy Boardman

2<sup>nd</sup>: Catherine Herden, Pauline Evans

## **THE SENIORS LAST TRAIN PAIRS**

1<sup>st</sup>: Elizabeth Havas, Stephen Mendick

2<sup>nd</sup>: Bob Richman, David Adams

## **THE OPEN LAST TRAIN PAIRS**

1<sup>st</sup>: Ian Robinson, Arjuna De Livera

2<sup>nd</sup>: Michael Whibley, Liam Milne



### **Benchmark Wine Bar ☎62626522**

65 Northbourne Avenue, Civic 2601

*Dining Venues, Modern Australian*

This wine bar really does set the benchmark for wine lists, with a truly breathtaking range of more than 500 local and imported bottles, not to mention 100 choices by the glass. If you are confused by the choice, the staff can construct a "Wine Flight" for you - a three glass tasting at 60 ml/glass. If wine isn't your thing, there are plenty of boutique beers, spirits, fortifieds and aperitifs on offer. The carefully constructed, seasonal menu has a distinctly European bent, featuring pan-fried Kervella goat's cheese and confit duck. Benchmark is a sophisticated and relaxing place to escape the daily grind or celebrate a special occasion.

## NATIONAL SENIORS' TEAMS STAGE 2

	Lavings	Hoffman	Ashworth	Neill	Newman	Urbach	Carryover	Total
Lavings		<b>11</b>	<b>4</b>	<b>12</b>	<b>14</b>	<b>24</b>	<b>180</b>	<b>245</b>
Hoffman	<b>19</b>		<b>24</b>	<b>19</b>	<b>15</b>	<b>19</b>	<b>176</b>	<b>272</b>
Ashworth	<b>25</b>	<b>6</b>		<b>14</b>	<b>16</b>	<b>18</b>	<b>168</b>	<b>247</b>
Neill	<b>18</b>	<b>11</b>	<b>16</b>		<b>3</b>	<b>3</b>	<b>164</b>	<b>215</b>
Newman	<b>16</b>	<b>15</b>	<b>14</b>	<b>25</b>		<b>15</b>	<b>162</b>	<b>247</b>
Urbach	<b>6</b>	<b>11</b>	<b>12</b>	<b>25</b>	<b>15</b>		<b>160</b>	<b>229</b>

Newman qualify on the tie break

## NATIONAL WOMEN'S TEAMS SEMIFINALS

	Set1	Set2	Set3	Set4	Total
Hoffman	<b>59</b>	<b>50</b>	<b>57</b>	<b>26</b>	<b>192</b>
Moses	<b>33</b>	<b>39</b>	<b>10</b>	<b>11</b>	<b>93</b>

	Set1	Set2	Set3	Set4	Total
Jagelman	<b>30</b>	<b>36</b>	<b>41</b>	<b>50</b>	<b>157</b>
Lowry	<b>40</b>	<b>39</b>	<b>43</b>	<b>1</b>	<b>123</b>

# Summer Festival

# Summer Festival

## AMP MENS PAIRS

## AMP WOMENS PAIRS

Place	Players	Score	Place	Players	Score
1	J Howard, M Whibley	957	1	E Caplan, N Giura	499
2	G Finikiotis, P Gallasch	944	2	H Stewart, L Turner	477
3	N Dutton, P Hooykaas	940	3	L Harkness, J Harkness	463
4	L Milne, M Porter	923	4	M Watts, S Humphries	462
5	K Colbert, R Hills	920	5	R Green, M Jakes	447
6	J De Ravin, P Wilsmore	910	6	G Tucker, M Millar	446
7	A Morcombe, Unknown	907	7	M Darley, D Ryan	433
8	B Noble, G Bilski	893	8	Z Dreher, P Yao	432
9	B Glass, T Glass	872	9	R Goldman, T Edwards	430
10	M Pemberton, P Livesey	859	10	J Lowe, V Hopwood	405
11	T Burke, M Prescott	854	11	B Kassam, D Barnes	393
12	A Gal, G Fleischer	852	12	I Parker, H Kite	384
13	D Wurth, D Fryda	845	13	P McDonald, A Delorenzo	367
14	A Hegedus, A Mill	840	14	M Pinter, J Germein	366
15	F Kovacs, D McRae	831	15	P Gardiner, E Moskovsky	359
16	R Limaye, N Gangal	810	16	J Cromer, E Beer	356
17	T Leibowitz, P Gosney	806			
18	N Cowen, G Cowen	806			
19	C Hasemore, M Geromboux	792			
20	R Casey, E Miller	782			
21	J Wallis, S Konig	775			
22	K Deeves, D Ferris	764			
23	P Bamborough, W Zhu	725			
24	A Stavik, J Zhang	714			
25	L Bourke, A Morrison	704			
26	P Slater, R Nehmy	644			
27	V Cariola, J Clifton	633			
28	I Jamieson, R Dunn	631			

# Summer Festival

## AMP MIXED PAIRS

Place	Players	Score
1	L Leibowitz, D Beauchamp	1834
2	H Erichsen, E Erichsen	1742
3	C Boylson, S Burgess	1587
4	R Thornberry, W Jenner-O'Shea	1552
5	G Eustace, G Allen	1523
6	M Wilkinson, S Wilkinson	1517
7	K Miller, L Miller	1493
8	C Shennan, J Tarszisz	1488
9	J Gleeson, C Dibley	1486
10	K Christiansen, P Canning	1479
11	J Magee, T Strong	1466
12	D Hood, P Cox	1444
13	N Francis, A Maluish	1443
14	L Smith, P Smith	1442
15	S Grenside, R Grenside	1442
16	B DGLISH, F Garrick	1428
17	H Thompson, J Johnson	1411
18	A Tuxworth, N Tuxworth	1404
19	M Courtney, L Raymond	1398
20	D Neumann, M Van Der Vlugt	1396
21	A Stephens, P Kahler	1390
22	J Morris, S Birrer	1389
23	S Tishler, P Gue	1386
24	D Marler, A Markovics	1374
25	A Struik, N Riszko	1369
26	T Hutton, H Hutton	1364
27	M Genc, M Perley	1352
28	R Pang, D Boga	1339
29	J Gruszka, M Clear	1319
30	V Holbrook, E Williams	1314
31	J Feiler, R Feiler	1310
32	C Riggs, S Dynan	1302
33	I Plummer, F Ballard	1302
34	J Guthrie, M Guthrie	1286
35	P Brennan, M Brennan	1264
36	W Boxall, N Van Vucht	1258
37	L Marks, J Rothwell	1256
38	G Pick, S Pick	1253
39	A Kettle, M Weddell	1245
40	W Chylewski (jun), L Aubusson	1237
41	J Glenn, A Hamilton	1217
42	S Waizer, P Waizer	1209
43	C Macquarrie, D Sharman	1188
44	E Lindh, P Phillips	1092

## Summer Festival

## Summer Festival

### AMP NOVICE PAIRS

### AMP SENIORS PAIRS

Place	Players	Score	Place	Players	Score
1	D O'Gorman, J Jeffries	855	1	I Walker, B Adcock	473
2	B Holliday, J Partridge	846	2	P Liphay, W Lorenz	468
3	P Parsons, T Heming	843	3	J Fitz-Gerald, A Barany	461
4	J Lacey, I Hamilton	833	4	J Hutson, B O'Donohue	441
5	L Ma, C Cregan	825	5	T Kiss, E Auerbach	441
6	A Kidd, A Rapaport	820	6	J Field, L Errington	439
7	A Brogan, B West	794	7	R Lorroway, J Dooner	426
8	G Davies, N Heffernan	789	8	J Savage, E Windmiller	422
9	K Dillon, B Boehm	778	9	J Rowlatt, B Peters	420
10	P Barnes, G Cachia	772	10	J Knight, I Dalziell	419
11	J Farmer, T Nadebaum	766	11	R Smith, A Small	411
12	K Birch, D Karlsson	766	12	P Havlicek, L Allgood	406
13	M Pisko, J Pisko	756	13	T Strong, A Meydan	400
14	R Devries, M Owen	753	14	C Wehner, B Plummer	384
15	J Jeffrey, A Hewat	748	15	L Dib, J Hanna	376
16	M Tough, C Tough	743	16	J Sunderland, G Hyslop	333
17	A Gooding, E Vanselow	742			
18	J Byrne, S Ormsby	736			
19	A Lance, C Carr	728			
20	N Radimir, P Hughes	711			
21	C Beaton, E Rogoyska	695			
22	P Nilsson, D Nilsson	692			
23	P McKittrick, K Cole	690			
24	J Kulkarni, J Kulkarni	684			
25	R Watkinson, L Watkinson	658			
26	N Waizer, R Limaye	631			